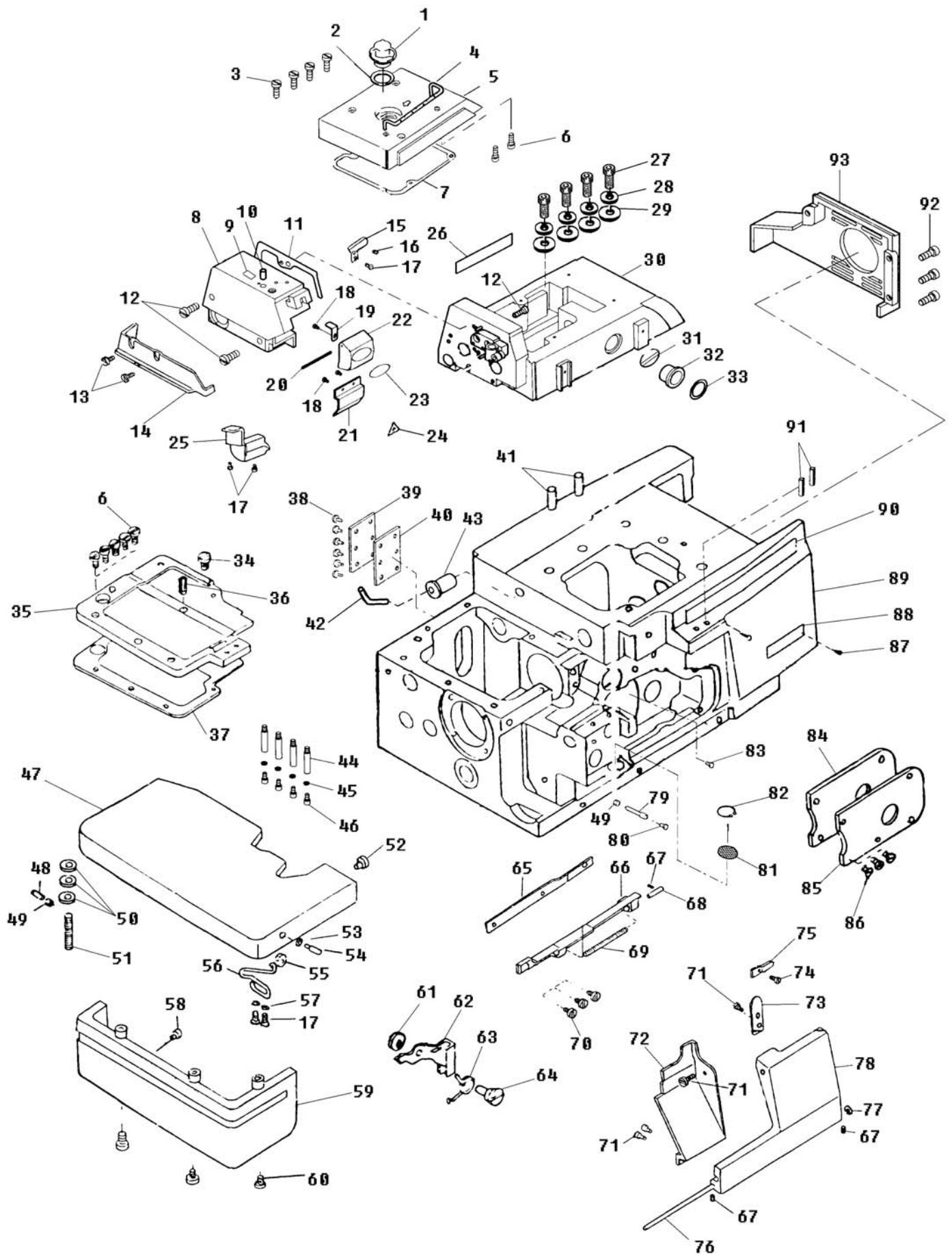


# 零件目录 PARTS CONTENTS

1.机壳部件	FRAME COMPONENTS	.....	1-4
2.主轴部件	MAIN SHAFT COMPONENTS	.....	5-6
3.机针驱动部件	NEEDLE DRIVING COMPONENTS	.....	7-10
4.差动部件	DIFFERENTIAL FEED MECHANISM COMPONENTS	.....	11-16
5.上下切刀部件	UPPER&LOWER KNIFE COMPONENTS	.....	17-18
6.上下弯针部件	UPPER&LOWER LOOPER COMPONENTS	.....	19-22
7.前弯针部件	CHAIN LOOPER COMPONENTS	.....	23-26
8.抬压脚部件	PRESSER FOOTLIFTER COMPONENTS	.....	27-30
9.供油部件	LUBRICATION MECHANISM COMPONENTS	.....	31-32
10.附件部件	ACCESSORIES COMPONENTS	.....	33-34

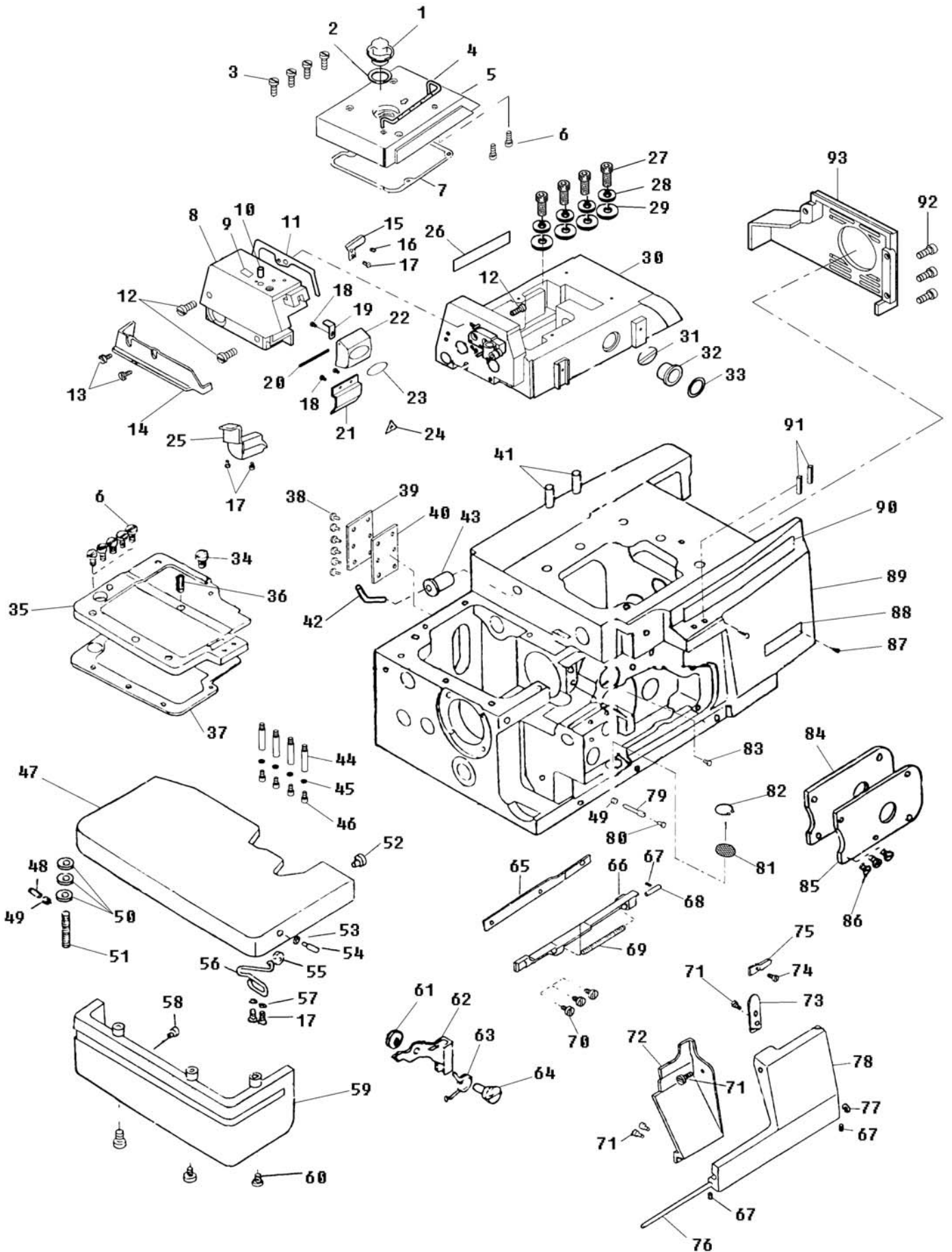
一、机壳部件 FRAME COMPONENTS



## 一、机壳部件 FRAME COMPONENTS

序号 NO	图号	名称	DESIGNATION	适用产品 (FIT)				
				757	747	737	757H	767
1	203.01-25	示油窗	OIL WINDOW	1	1	1	1	1
2	279.01-83	油窗垫	OIL WINDOW WASHER	1	1	1	1	1
3	279.06-28	上盖螺钉	UPPER COVER SCREW SM11/64X40 L=8+18	4	4	4	4	4
4	279.01-85	导线杆	THREAD GUIDE ROD	1	1	1	1	1
5	203..01-21	上盖	UPPER COVER	1	1	1	1	1
6	279.01-32	导线杆螺钉	THREAD GUIDE ROD SCREW SM11/64X40 L=8	7	7	7	7	7
7	203..01-21A	油封垫	OIL SEAL WASHER	1	1	1	1	1
8	203.01-20	机头罩	MACHINE HEAD COVER	1	1	1	1	1
9	279.01-26	润滑油指示件	LUBRICATION	1	1	1	1	1
10	279.01-25	加油管	ADD OIL TUBE	1	1	1	1	1
11	203.01-26	机头罩垫片	MACHINE HEAD COVER GASKET	1	1	1	1	1
12	279.01-31	机头罩固定螺钉	MACHINE HEAD COVER FIXING SCREW SM7/32X32 L=18	3	3	3	3	3
13	279.01-36	导布板螺钉	GUIDE THREAD PLATE SCREW SM11/64X40 L=5	2	2	2	2	2
14	279.01-15	导布板	GUIDE THREAD PLATE	1	1	1	1	1
15	279.01-87	机针线罩壳护罩	NEEDLE THREAD COVER GUARD	1	1	1	1	1
16	279.01-109	机针线罩壳销螺钉	NEEDLE THREAD COVER PIN SCREW SM1/8X44 L=3	1	1	1	1	1
17	279.07-26	机针线罩固定螺钉	NEEDLE THREAD COVER FIXING SCREW SM1/8X40 L=4	5	5	5	5	5
18	279.02-91	螺钉	SCREW SM9/64X40 L=5.5	3	3	3	3	3
19	279.01-88	机针线罩弹簧	NEEDLE THREAD SPRING	1	1	1	1	1
20	279.01-91	机针线罩销	NEEDLE THREAD COVER PIN	1	1	1	1	1
21	203.01-17	观察镜	OIL SIGHT WINDOW	1	1	1	1	1
22	203.01-16	机针线罩壳	NEEDLE THREAD COVER	1	1	1	1	1
23	203.01-19	标牌组件	INDICATE PLATE ASM.	1	1	1	1	1
24	203.01-18	安全标记	SAFETY SYMBOL	1	1	1	1	1
25	279.01-93	集油斗	WASTE OIL CHUTE	1	1	1	1	1
26	279.01-03	厂牌	MODEL PLATE	1	1	1	1	1
27	279.01-30	机头紧固螺钉	MACHINE HEAD SET SCREW GB65-85 M6 L=16	4	4	4	4	4
28	279.01-17	弹簧垫圈	FLEXIBLE WASHER	4	4	4	4	4
29	279.01-121	垫片	WASHER	4	4	4	4	4
30	203.01-12	机头	MACHINE HEAD	1	1	1	1	1
31	203.01-03	油位板	OIL SET INDICATIVE PLATE	1	1	1	1	1
32	203.01-05	油窗	OIL WINDOW	1	1	1	1	1
33	203.01-04	油位标组件	OIL SET MARK COMPLATE	1	1	1	1	1
34	279.01-34	左上盖六角螺钉	UPPER COVER (LEFT) HEXAGON SCREW SM11/64X40 L=8	1	1	1	1	1
35	279.01-11	左上盖	UPPER COVER (LEFT)	1	1	1	1	1
36	279.01-80	油线	OIL WICK	1	1	1	1	1
37	279.01-10	盖板垫片	COVER PLATE GASKET	1	1	1	1	1
38	279.01-67	后盖板螺钉	BACK COVER PLATE SCREW SM11/64X40 L=10	6	6	6	6	6
39	279.01-19	后盖板	BACK COVER PLATE	1	1	1	1	1
40	279.01-18	油封	OIL SEAL	1	1	1	1	1
41	279.01-23A	回油管	OIL RETURN TUBE HOLDER	1	1	1	1	1
42	279.01-40	定位销	LOCATING PIN	2	2	2	2	2
43	279.01-23	回油管	OIL RETURN TUBE HOLDER	1	1	1	1	1
44	279.01-27	支柱	COLUMN	4	4	4	4	4
45	279.08-47	垫片	WASHER	4	4	4	4	4
46	279.08-45	内六角螺钉	HEXAGONAL SOCKET SCREW SM15/64X28 L=11.2	4	4	4	4	4
47	205.01-10	缝合组件	CLOTH PLATE ASM.	1	1	1	1	1
48	279.05-56	偏心轮固定螺钉	ECCENTRIC WHEEL FIXING SCREW SM11/64X40 L=12	1	1	1	1	1
49	279.01-71	锁紧螺母	LOCKING SCREW SM11/64X40	2	2	2	2	2
50	279.01-51	转动轴垫圈	DRIVING SHAFT WASHER	3	3	3	3	3

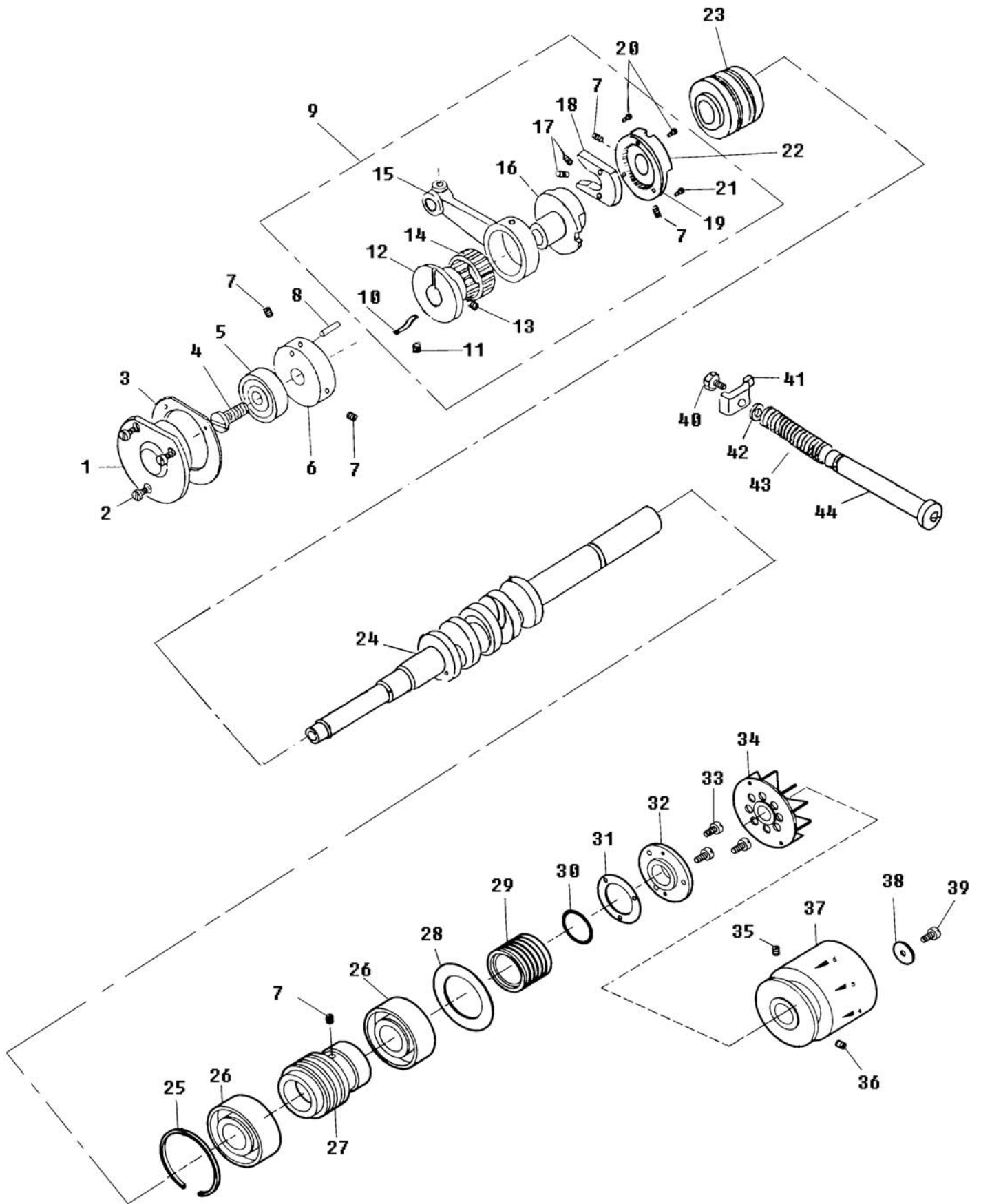
一、机壳部件 FRAME COMPONENTS



# 一、机壳部件 FRAME COMPONENTS

序号 NO	图号	名称	DESIGNATION	适用产品 (FIT)				
				757	747	737	757H	767
51	279.01-48	缝台转动弹簧	CLOTH PLATE DRIVING SPRING	1	1	1	1	1
52	279.02-81	缝台橡胶垫	NEEDLE PLATE BRACKET RUBBER CUSHION	1	1	1	1	1
53	279.01-73	垫圈	LOWER COVER WASHER	1	1	1	1	1
54	279.01-59	缝台锁紧定位销	CLOTH PLATE LOCKING POSITION PIN	1	1	1	1	1
55	279.01-70	螺母	NUT SM9/64X40	1	1	1	1	1
56	279.01-46	缝台弹簧	CLOTH PLATE SPRING	1	1	1	1	1
57	279.01-72	缝台弹簧紧定小垫片	CLOTH PLATE SPRING LOCKING LITTLE WASHER	2	2	2	2	2
58	279.01-50	缝台下罩壳防震垫	CLOTH PLATE LOWER COVER SHOCKPROOF CUSHION	1	1	1	1	1
59	205.01-13	缝台下罩壳组件	CLOTH PLATE LOWER COVER ASM.	1	1	1	1	1
60	279.01-63	下罩壳固定螺钉	LOWER COVER FIXING SCREW SM9/64X40 L=13	3	3	3	3	3
61	279.01-74	垫片	WASHER	1	1	1	1	1
62	279.01-53	缝台闸	CLOTH PLATE LATCH	1	1	1	1	1
63	279.01-52	缝台闸弹簧	CLOTH PLATE LATCH SPRING	1	1	1	1	1
64	279.01-60	缝台闸固定螺钉	CLOTH PLATE FIXING SCREW	1	1	1	1	1
65	279.01-99	密封垫	GASKET WASHER	1	1	1	1	1
66	279.01-94	前罩壳下铰链	FRONT COVER LOWER HINGE	1	1	1	1	1
67	279.01-113	铰链销螺钉	HINGE PIN SCREW SM9/64X40 L=3	3	3	3	3	3
68	279.01-97	防转销	DRIVING PIN	1	1	1	1	1
69	279.01-96	铰链销弹簧	HINGE PIN SPRING	1	1	1	1	1
70	279.01-116	铰链螺钉	HINGE SCREW SM9/64X40 L=7.5	3	3	3	3	3
71	279.02-91	前盖板罩板螺钉	FRONT COVER GUARD PLATE SCREW SM9/64X40 L=5.5	4	4	4	4	4
72	279.01-100	五线前盖板罩板	FIVE-THREAD FRONT COVER PLATE	1			1	1
	279.01-100B	三、四线前盖板罩板	THREAD、FOUR-THREAD FRONT COVER PLATE		1	1		
73	279.01-102	前盖板锁紧板	FRONT COVER LOCKING PLATE	1	1	1	1	1
74	279.01-36	前盖板锁紧舌螺钉	FRONT COVER LOCKING FASTENER TONGUE SCREW SM11/64X40 L=5	1	1	1	1	1
75	279.01-101	前盖板锁紧舌	FRONT COVER LOCKING FASTENER TONGUE	1	1	1	1	1
76	279.01-98	铰链销	HINGE PIN	1	1	1	1	1
77	279.01-105	铰链销卡簧	HINGE PIN SPRING	1	1	1	1	1
78	279.01-95	前罩壳	FRONT COVER	1	1	1	1	1
79	279.01-61	缝台定位调节螺钉	CLOTH PLATE STOPPED ADJUSTING SCREW	1	1	1	1	1
80	279.01-58	定位垫圈	RETAINING WASHER	1	1	1	1	1
81	279.01-24	滤油网	FILTER SCREEN	1	1	1	1	1
82	279.01-119	卡簧	CLIP SPRING	1	1	1	1	1
83	279.01-28	螺塞	RUBBER PLUG SM1/4X40 L=4.5	1	1	1	1	1
84	279.01-56	油封	OIL SEAL	1	1	1	1	1
85	279.01-57	盖板	COVER PLATE	1	1	1	1	1
86	279.05-43	盖板螺钉	COVER PLATE SCREW SM11/64X40 L=7.5	5	5	5	5	5
87	279.01-120	商标牌铆钉	TRADE MARK PLATE RIVET	6	6	6	6	6
88	279.01-16	标牌	INDICATE PLATE	1	1	1	1	1
89	279.01-01	机壳	MACHINE FRAME	1	1	1	1	1
90	203.01-32	商标牌	TRADE MARK PLATE	1	1	1	1	1
91	279.01-04	过线管	THREAD GUIDE TUBE	2	2	2	2	2
92	279.01-32	带轮罩螺钉	PULLEY GUARD SCREW SM11/64X40 L=8	3	3	3	3	3
93	203.01-01	皮带轮罩组件	PULLEY GUARD COMPLETE ASM.	1	1	1	1	1

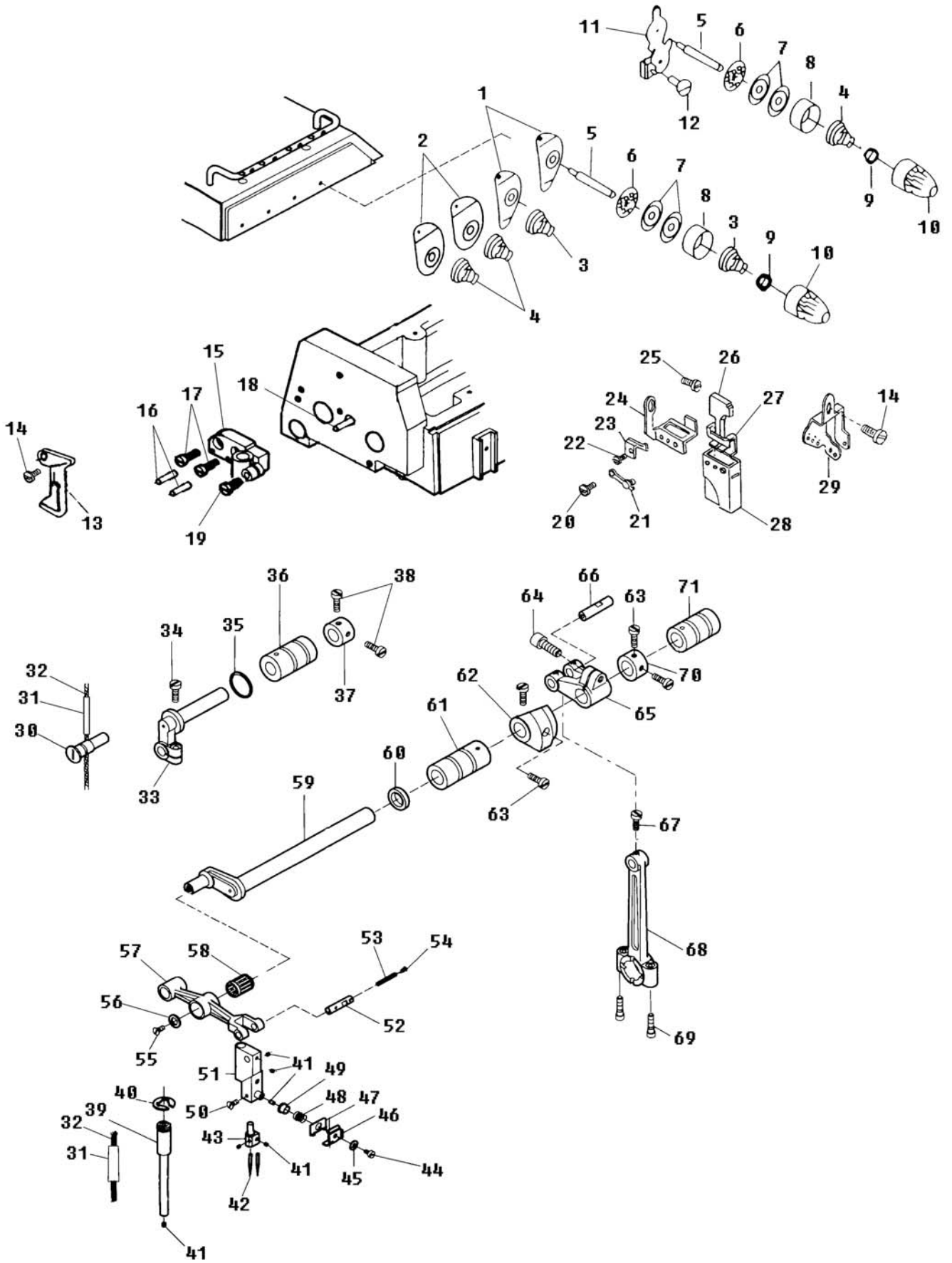
## 二、主轴部件 MAIN SHAFT COMPONENTS



## 二、主轴部件 MAIN SHAFT COMPONENTS

序号 NO	图号	名称	DESIGNATION	适用产品 (FIT)				
				757	747	737	757H	767
1	279.02-01B	三、四线轴承座	THREE, FOUR-THREAD BEARING BRACKET		1	1		
2	279.03-59	前轴承座螺钉	FRONT BEARING BRACKET SCREW SM9/64x40 L=8	6	6	6	6	6
3	279.02-02	前轴承座垫片	FRONT BEARING BRACKET WASHER	1	1	1	1	1
4	279.02-21	主轴堵螺钉	MAIN SHAFT SCREW SM7/32x32 L=3+11.6		1	1		
5	279.02-25	带密封单列向心球轴承	BALL BEARING	1	1	1	1	1
6	279.02-26	孔用挡圈	HOLE THRUST RING		1	1		
7	279.02-16	紧定螺钉	WORM SET RIVET SM11/64x40 L=5	4	4	4	4	4
8	279.05-63	销子	FEED ECCENTRIC WHEEL PIN	1	1	1	1	1
9	279.05-64-00	送布组件	FEED ASM.	1	1	1	1	1
10	279.05-67	弹簧	SPRING	1	1	1	1	1
11	279.02-16	内六角紧定螺钉	HEXAGONAL SOCKET SET SCREW SM11/64"x40 L=5	1	1	1	1	1
12	279.05-66	偏心轮	ECCENTRIC WHEEL	1	1	1	1	1
13	279.05-97	内六角紧定螺钉	HEXAGONAL SOCKET SET SCREW SM1/8x44 L=2.8	3	3	3	3	3
14	279.05-65	送布连杆滚针轴承	FEED CONNECTION ROD NEEDLE BEARING	1	1	1	1	1
15	279.05-64	送布连杆	FEED CONNECTION ROD	1	1	1	1	1
16	279.05-68	针距凸轮	NEEDLE GAGUE CAM	1	1	1	1	1
17	279.05-71	弹簧	SPRING	2	2	2	2	2
18	279.05-69	扇形齿环	SEGMENT GEAR COLLAR	1	1	1	1	1
	279.05-70	扇形齿环固定滑块	SEGMENT GEAR COLLAR SET BLOCK	1	1	1	1	1
	279.05-99	扇形齿环螺钉	SEGMENT GEAR COLLAR SCREW SM3/32x56 L=6	2	2	2	2	2
19	279.05-73	调质定位齿圈	REGULATING SET GEAR RING	1	1	1	1	1
20	279.05-101	螺钉	SCREW SM1/8x40 L=4.4	2	2	2	2	2
21	279.05-100	螺钉	SCREW	1	1	1	1	1
22	279.05-72	齿圈座	GEAR RING BRACKET	1	1	1	1	1
23	279.02-03	主轴中轴套组件	MAIN SHAFT INTERMEDIATE BUSHING ASM.	1	1	1	1	1
24	279.02-04	主轴组件	MAIN SHAFT	1	1	1	1	1
25	279.02-22	孔用弹性挡圈	HOLE FLEXIBLE THRUST RING	1	1	1	1	1
26	279.02-24	带密封单列向心球轴承	BALL BEARING	2	2	2	2	2
27	279.02-05	蜗杆	WORM	1	1	1	1	1
28	279.02-08	弹性垫圈	FLEXIBLE WASHER	1	1	1	1	1
29	279.02-06	油封	OIL SEAL	1	1	1	1	1
30	279.02-07	O形密封	O GASKET	1	1	1	1	1
31	279.02-09	后轴承盖垫片	BACK BEARING COVER WASHER	1	1	1	1	1
32	279.02-10	后轴承盖	BACK BEARING COVER	1	1	1	1	1
33	279.01-32	后轴承盖螺钉	BACK BEARING COVER SCREW SM11/64x40 L=8	3	3	3	3	3
34	279.02-11	叶轮	LEAF WHEEL	1	1	1	1	1
35	5590.02-16	带轮紧定钉	PULLEY SET SCREW SM15/64x28	1	1	1	1	1
36	279.02-17	带轮紧定钉	PULLEY SET SCREW SM15/64x28 L=8.5	1	1	1	1	1
37	203..01-06	皮带轮组件	PULLEY SET KEY	1	1	1	1	1
38	279.02-14	垫圈	WASHER	1	1	1	1	1
39	203.01-09	带轮轴向固定螺钉	PULLEY SHAFT STOPPER RIVET SM15/64x28 L=17+25	1	1	1	1	1
40	279.01-34	固定螺钉	FIXING SCREW SM11/64x40 L=8	1	1	1	1	1
41	279.05-85	针距调节块	NEEDLE GAGUE REGULATING SUPPORT	1	1	1	1	1
42	279.05-84	密封圈	GASKET WASHER	1	1	1	1	1
43	279.05-83	弹簧	SPRING	1	1	1	1	1
44	279.05-82	针距调节轴	NEEDLE GAGUE REGULATING SHAFT	1	1	1	1	1

### 三、机针驱动部件 NEEDLE DRIVING COMPONENTS

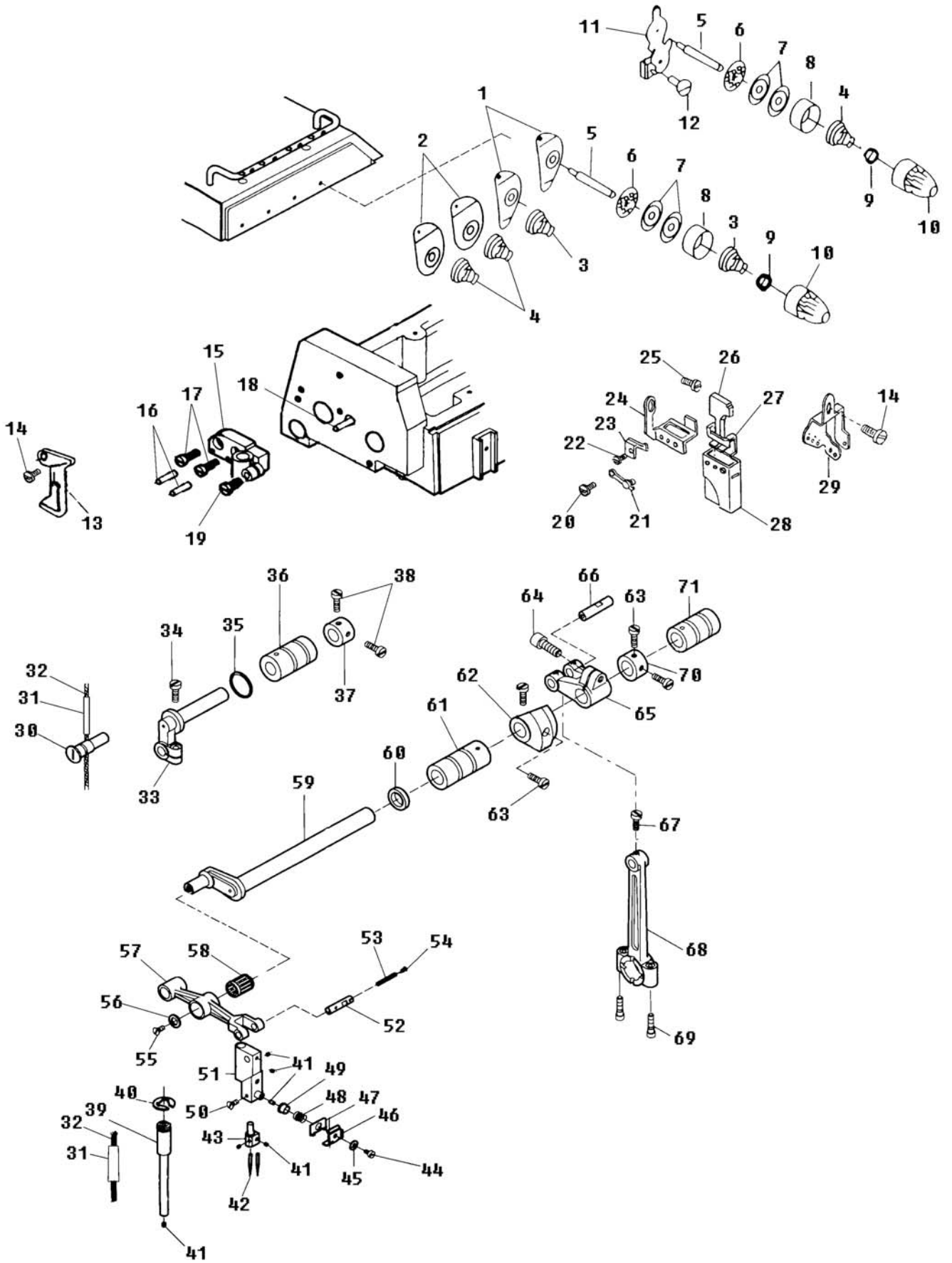




### 三、机针驱动部件 NEEDLE DRIVING COMPONENTS

序号 NO	图号	名称	DESIGNATION	适用产品 (FIT)				
				757	747	737	757H	767
1	203.01-22	过线板A	THREAD GUIDE PLATE A	2	2	2	2	2
2	203.01-23	过线板B	THREAD GUIDE PLATE B	2	2	1	2	2
3	279.02-67A	压线簧	THREAD TENSION SPRING	2	2	2	2	2
4	279.02-67	压线簧	THREAD TENSION SPRING	2	2	1	2	3
5	279.02-63	压线螺钉	THREAD TENSION SCREW	4	4	3	4	5
6	279.02-64	压线板垫圈	THREAD TENSION DISC WASHER	4	4	3	4	5
7	279.02-65	压线板	THREAD TENSION DISC	8	8	6	8	10
8	279.02-66	压线簧座	THREAD TENSION SPRING HOLDER	4	4	3	4	5
9	279.02-68	压簧圈	THREAD TENSION SPRING RETAINER	4	4	3	4	5
10	203.01-24	压线螺母组件	THREAD TENSION NUT	4	4	3	4	5
11	279.02-61B	压线过线板	THREAD GUIDE PLATE					1
12	279.02-106	压线过线板螺钉	THREAD GUIDE PLATE SCREW					1
13	279.01-92	挡油罩	OIL SEAL COVER	1	1	1	1	1
14	279.01-36	挡油罩固定螺钉	OIL SEAL COVER FIXING SCREW SM11/64x40 L=5	2	2	2	2	2
15	279.01-08	针杆固定座	NEEDLE BAR SET BRACKET	1	1	1	1	1
16	279.05-63	销子	FEED ECCENTRIC WHEEL PIN	2	2	2	2	2
17	279.01-29	针杆座固定螺钉	NEEDLE BAR BRACKET FIXING SCREW SM3/16x32 L=13	2	2	2	2	2
18	279.01-79	销子	MACHINE HEAD COVER LOCATING PIN	1	1	1	1	1
19	279.02-99	螺钉	SCREW SM15/64x28 L=10.6	1	1	1	1	1
20	279.09-16	油毡架螺钉	OIL SEAL BRACKET SCREW	1	1	1	1	1
21	279.09-06	防松垫	GUARD RELEASE WASHER	1	1	1	1	1
22	279.09-15	油毡架螺钉	OIL SEAL BRACKET SCREW SM3/32x56 L=5	1	1	1	1	1
23	279.09-04	过线板	THREAD GUIDE	1	1	1	1	1
24	279.09-01	三眼过线板	THREE-HOLE THREAD GUIDE PLATE	1	1	1	1	1
25	279.09-14	三眼过线板固定螺钉	THREE-HOLE THREAD GUIDE FIXING SCREW SM11/64x40 L=5.3	1	1	1	1	1
26	279.09-03	过线油毡	THREAD GUIDE OIL SEAL	1	1	1	1	1
27	279.09-02	油毡架	OIL SEAL BRACKET	1	1	1	1	1
28	279.09-05	硅油存盒	GUARD	1	1	1	1	1
29	279.02-71A	三眼过线 (三、五用)	THREE-HOLE THREAD GUIDE	1		1	1	1
	279.02-71B	四眼过线 (四线用)	FOUR-HOLE THREAD GUIDE		1			1
30	279.02-44	偏心轴	ECCENTRIC SHAFT	1	1	1	1	1
31	279.02-28	油管	OIL TUBE	2	2	2	2	2
32	279.02-88	油线	OIL SEAL RIVET	2	2	2	2	2
33	279.02-45	机针传动摆轴	NEEDLE DRIVING ROCK SHAFT	1	1	1	1	1
34	279.02-57	偏心轴螺钉	ECCENTRIC SHAFT SCREW SM3/16x32 L=13	1	1	1	1	1
35	279.02-89	O形圈	O GASKET	1	1	1	1	1
36	279.02-46	机针传动铜轴套	NEEDLE DRIVING COPPER BEARING	1	1	1	1	1
37	279.02-47	机针传动摆轴挡圈	NEEDLE DRIVING ROCK SHAFT THRUST RING	1	1	1	1	1
38	279.01-32	紧定螺钉	SET SCREW SM11/64x40 L=8	2	2	2	2	2
39	279.02-31	针杆组件	NEEDLE BAR COMPLETE	1	1	1	1	1
40	279.02-29	针杆卡簧	NEEDLE BAR SPRING	1	1	1	1	1
41	279.01-109	针杆堵油螺钉	OIL WICK PRESSER SCREW SM1/8x40 L=3	6	6	6	6	6
42	279.02-30	DCX27 11#机针	14#NEEDLE		2	1		
	279.02-30A	DCX27 14#机针	11#NEEDLE	2				3
	206.02-08	DCX27 18#机针	18#NEEDLE				2	

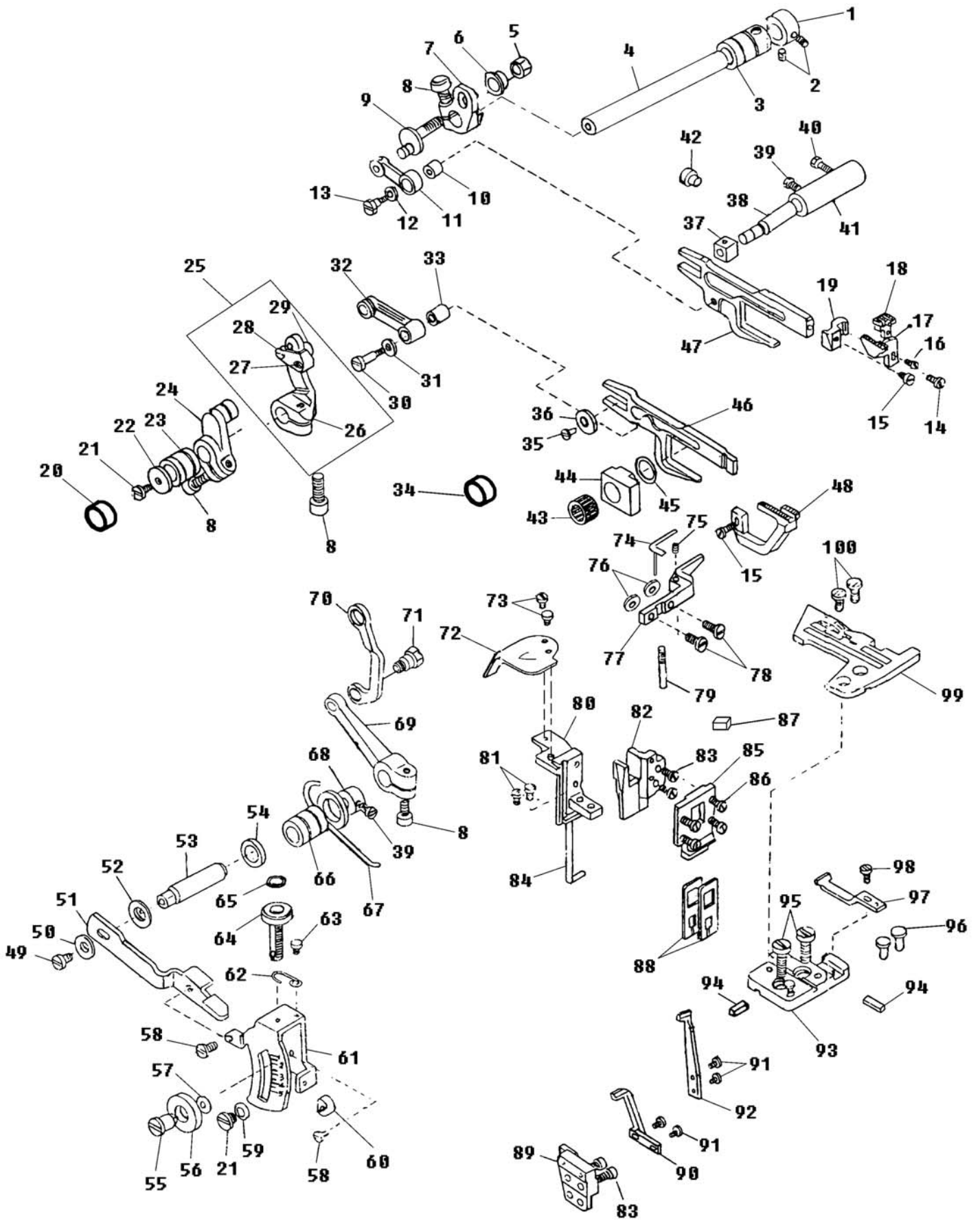
### 三、机针驱动部件 NEEDLE DRIVING COMPONENTS



### 三、机针驱动部件 NEEDLE DRIVING COMPONENTS

序号 NO	图号	名称	DESIGNATION	适用产品 (FIT)				
				757	747	737	757H	767
43	279.02-76	五线针夹	FIVE-THREAD NEEDLE HOLDER	1				
	279.02-76B	四线针夹	FOUR-THREAD NEEDLE HOLDER		1			
	279.02-76C	三线针夹	THREE-THREAD NEEDLE HOLDER			1		
	218.02-76D	六线针夹	SIX-THREAD NEEDLE HOLDER					1
	206.02-06	五线厚料针夹	FIVE-THREAD NEEDLE HOLDER				1	
44	279.01-62	螺钉	SCREW SM1/8x40 L=4.5	1	1	1	1	1
45	279.02-105	拦线板螺钉垫圈	NEEDLE THREAD GUARD WASHER	1	1	1	1	1
46	279.02-75	拦线板支架	FABRIC GUIDE PLATE BRACKET	1	1	1	1	1
47	279.02-74	拦线板	FABRIC GUIDE PLATE	1	1	1	1	1
48	279.02-73	导向套弹簧	GUIDE BUSHING SPRING	1	1	1	1	1
49	279.02-72	拦线板导向套	FABRIC GUIDE BUSHING	1	1	1	1	1
50	5590.08-43	螺钉	SCREW					
51	279.02-32	针杆滑块	NEEDLE BAR BLOCK	1	1	1	1	1
52	279.02-33	针夹滑块销	NEEDLE BAR BLOCK PIN	1	1	1	1	1
53	279.02-59	油线	OIL WICK	1	1	1	1	1
54	279.02-51	针夹滑块销闷头螺钉	NEEDLE HOLDER BLOCK PIN END CAP SCREW SM3/32x56 L=3	1	1	1	1	1
55	279.01-68	滚针轴承螺钉	NEEDLE BEARING SCREW SM1/8x44 L=4	1	1	1	1	1
56	279.02-48	滚针轴承垫圈	NEEDLE BEARING WASHER	1	1	1	1	1
57	279.02-34	机针传动杆	NEEDLE DRIVING LEVER	1	1	1	1	1
58	279.02-49	机针传动滚针轴承	NEEDLE DRIVING NEEDLE BEARING	1	1	1	1	1
59	279.02-35	针杆摆轴	NEEDLE BAR ROCK SHAFT	1	1	1	1	1
60	279.06-01	油封	OIL SEAL	1	1	1	1	1
61	279.02-37	机针传动前轴承	NEEDLE BAR SHAFT OIL SEAL	1	1	1	1	1
62	279.02-38	平衡块	NEEDLE DRIVING FRONT BEARING	1	1	1	1	1
63	279.02-53	平衡块固定螺钉	BALANCE SHOE FIXING SCREW SM7/32x32 L=6.4	4	4	4	4	4
64	279.02-39	机针传动摆轴曲柄	BALANCE SHOE	1		1	1	1
	279.02-39A	机针传动摆轴曲柄	NEEDLE DRIVING ROCK SHAFT CRANK		1			
65	279.03-29	机针摆轴曲柄螺钉	NEEDLE ROCK SHAFT CRANK SCREW SM15/64x28 L=15	1	1	1	1	1
66	279.02-41	连杆销	CONNECTION LEVER PIN	1	1	1	1	1
67	279.01-34	紧固螺钉	FIXING SCREW SM11/64x40 L=8	1	1	1	1	1
68	279.02-40	机针传动连杆	NEEDLE DRIVING LEVER	1	1	1	1	1
69	279.03-28	螺钉	UPPER LOOPER WASHER L=12	2	2	2	2	2
70	279.02-42	针杆摆轴挡圈	NEEDLE BAR ROCK SHAFT THRUST RING	1	1	1	1	1
71	279.02-43	机针传动后轴承	NEEDLE DRIVING BACK BEARING	1	1	1	1	1

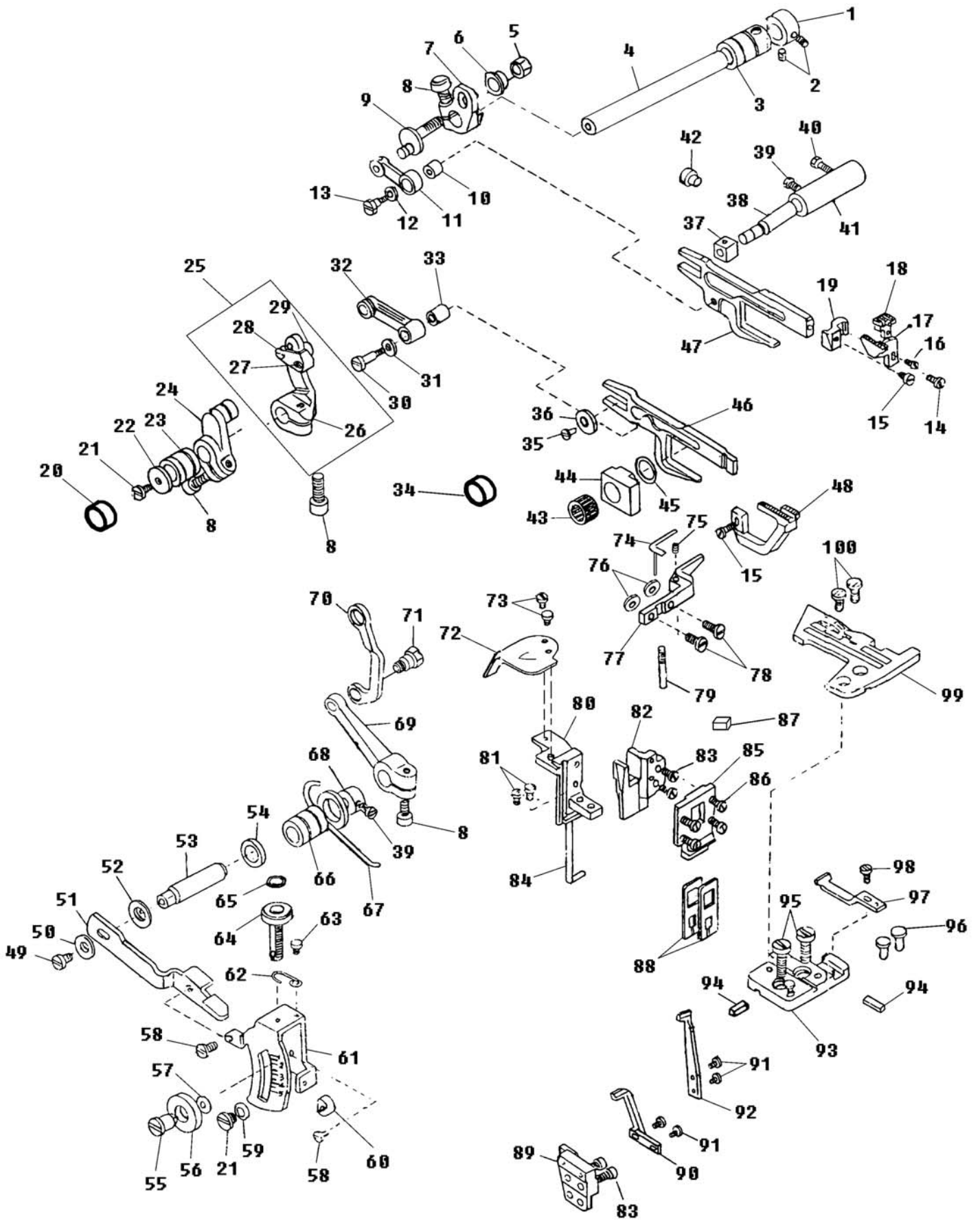
四、差动部件 DIFFERENTIAL FEED MECHANISM COMPONENTS



#### 四、差动部件 DIFFERENTIAL FEED MECHANISM COMPONENTS

序号 NO	图号	名称	DESIGNATION	适用产品 (FIT)				
				757	747	737	757H	767
1	279.05-11	挡圈	THRUST RING	1	1	1	1	1
2	279.02-53	螺钉	BALANCE SHOE FIXING SCREW SM7/32x32 L=6.4	2	2	2	2	2
3	279.05-09	送布轴铜轴承	FEED SHAFT COPPER BEARING	1	1	1	1	1
4	279.05-10	送布轴	FEED SHAFT	1	1	1	1	1
5	279.04-65	曲柄调整销螺母	CRANK REGULATING PIN NUT SM7/32x32	1			1	1
6	279.05-08	垫圈	WASHER	1	1	1	1	1
7	279.05-06	送布调整曲柄	FEED ADJUSTING CRANK	1	1	1	1	1
8	279.03-29	圆柱头内六角螺钉	THREAD GUIDE WASHER SM15/64x28 L=15	4	4	4	4	4
9	279.05-07	送布牙连杆偏心轴	FEED DOG CONNECTION LINK ECCENTRIC SHAFT	1	1	1	1	1
10	279.05-21	送布牙连杆套	FEED BAR CONNECTION LINK BUSHING	1	1	1	1	1
11	279.05-20	送布牙架连杆	FEED BAR HOLDER CONNECTION LINK	1	1	1	1	1
12	279.05-38	送布牙架连杆套垫圈	FEED BAR HOLDER CONNECTION LINK BUSHING WASHER	1	1	1	1	1
13	279.05-47	送布牙架连杆套螺钉	FEED BAR HOLDER CONNECTION LINK BUSHING SCREW	1	1	1	1	1
14	279.01-116	螺钉	SCREW SM9/64x40 L=7.5	3	3	3	3	3
15	279.01-65	螺钉	SCREW SM9/64x40 L=8					
16	279.05-52	副送布牙螺钉	FEED DOG SCREW SM3/32x56 L=6.5	1	1	1	1	1
17	279.05-34	五线主送布牙	FIVE-THREAD MAIN FEED DOG	1				
	279.05-34A	三线主送布牙	THREE-THREAD MAIN FEED DOG		1	1		
	206.02-05	五线厚料主送布牙	FIVE-THREAD MAIN FEED DOG(HEAVY MATERIAL)				1	
	218.05-34C	六线主送布牙	THRUST RING					1
18	279.05-33	五线副送布牙	FIVE-THREAD FEED DOG	1				
	206.02-04	厚料副送布牙	FIVE-THREAD FEED DOG (HEAVY MATERIAL)				1	
	279.05-33A	三线副送布牙	THREE-THREAD FEED DOG		1	1		
	218.05-33C	六线副送布牙	SIX-THREAD FEED DOG					1
19	279.05-28	送布牙底板	FEED DOG FOOT	1	1	1	1	1
20	279.05-17	油封	OIL SEAL	1	1	1	1	1
21	279.01-36	螺钉	PRESSER SEAL SCREW SM11/64x40 L=5	3	3	3	3	3
22	279.05-36	垫片	WASHER	1	1	1	1	1
23	279.05-01	送布轴铜轴承	FEED SHAFT COPPER BEARING	1	1	1	1	1
24	279.05-02	送布曲柄	FEED SHAFT CRANK	1	1	1	1	1
25	279.05-03-00	差动器组件	DIFFERENTIAL FEED ASM.	1	1	1	1	1
26	279.05-03	差动牙架调整曲柄	DIFFERENTIAL FEED BAR ADJUSTING CRANK	1	1	1	1	1
27	279.05-40	滑块盖板螺钉	BLOCK COVER SCREW SM1/8x44 L=4.6	2	2	2	2	2
28	279.05-05	滑块盖板	BLOCK THRUST RING	1	1	1	1	1
29	279.05-04	滑块	BLOCK	1	1	1	1	1
30	279.05-48	差动牙架连杆套螺钉	DIFFERENTIAL FEED BAR CONNECTION LINK BUSHING SCREW	1	1	1	1	1
31	279.05-39	差动牙架连杆套垫圈	DIFFERENTIAL FEED BAR CONNECTION LINK BUSHING WASHER	1	1	1	1	1
32	279.05-23	差动牙架连杆	DIFFERENTIAL FEED BAR CONNECTION LINK	1	1	1	1	1
33	279.05-24	差动牙架连杆套	DIFFERENTIAL FEED BAR CONNECTION LINK BUSHING	1	1	1	1	1
34	279.05-12	油封	OIL SEAL	1	1	1	1	1
35	279.03-36	挡板螺钉	SCREW SM1/8x44 L=6	1	1	1	1	1
36	279.05-16	差动送布挡圈	DIFFERENTIAL FEED THRUST RING	1	1	1	1	1
37	279.05-15	差动送布滑块	DIFFERENTIAL FEED BLOCK	1	1	1	1	1
38	279.05-14	滑块偏心轴	BLOCK ECCENTRIC SHAFT	1	1	1	1	1
39	279.05-46	滑块偏心轴螺钉	BLOCK ECCENTRIC SHAFT SCREW SM11/64x40 L=12.3	1	1	1	1	1
40	279.04-20	滑块轴固定套螺钉	BLOCK SHAFT SET BUSHING SCREW SM11/64x40 L=5.3	2	2	2	2	2
41	279.05-13	滑块轴固定套	BLOCK SHAFT STOPPER BUSHING	1	1	1	1	1
42	279.05-18	油封	OIL SEAL	1	1	1	1	1
43	279.05-27	拾牙滑块轴承	FEED BAR LIFTER BLOCK BEARING	1	1	1	1	1

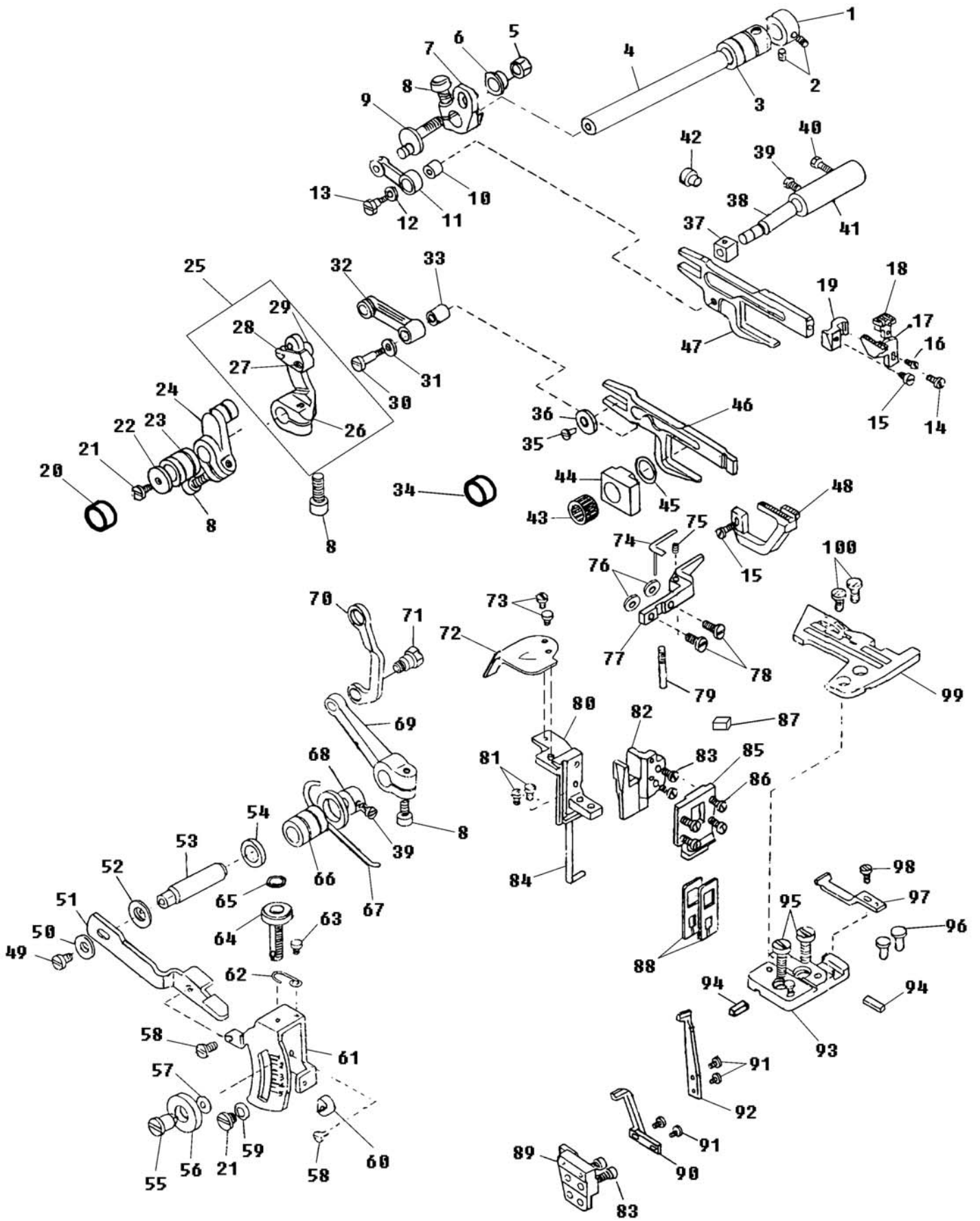
四、差动部件 DIFFERENTIAL FEED MECHANISM COMPONENTS



#### 四、差动部件 DIFFERENTIAL FEED MECHANISM COMPONENTS

序号 NO	图号	名称	DESIGNATION	适用产品 (FIT)				
				757	747	737	757H	767
44	279.05-25	拾牙滑块	FEED BAR LIFTER BLOCK	1	1	1	1	1
45	279.05-26	拾牙滑块轴承挡圈	FEED BAR LIFTER BLOCK BEARING THRUST RING	1	1	1	1	1
46	279.05-22	差动牙架	DIFFERENTIAL FEED BAR	1	1	1	1	1
47	279.05-19	送布牙架	FEED BAR HOLDER	1	1	1	1	1
48	279.05-35	五线差动牙	FIVE-THREAD DIFFERENTIAL FEED DOG	1				
	206.02-03	厚料差动牙	FIVE-THREAD DIFFERENTIAL FEED DOG(HEAVY MATERIAL)				1	
	279.05-35A	三线差动牙	THREE-THREAD DIFFERENTIAL FEED DOG		1	1		
	218.05-35C	六线差动牙	SIX-THREAD DIFFERENTIAL FEED DOG					1
49	279.01-34	六角螺钉	UPPER COVER (LEFT) HEXAGON SCREW SM11/64x40 L=8	1	1	1	1	1
50	279.05-94	调节螺钉垫圈	REGULATOR SCREW WASHER	3	3	3	3	3
51	279.05-81	差动调节扳手	DIFFERENTRIC REGULATING FEED HANDLE	1	1	1	1	1
52	279.05-95	拉杆曲柄垫圈	PITMAN ROD CRANK WASHER	1	1	1	1	1
53	279.05-75	拉杆曲柄轴	PITMAN ROD CRANK SHAFT	1	1	1	1	1
54	279.05-92	油封	OIL SEAL	1	1	1	1	1
55	279.05-108	手轮螺钉	HAND WHEEL SCREW	1	1	1	1	1
56	279.05-90	手轮	HAND WHEEL	1	1	1	1	1
57	279.05-54	手轮垫片	WASHER	1	1	1	1	1
58	279.01-32	针距调节指示板螺钉	NEEDLE GAGUE REGULATING SCALE PLATE SCREW SM11/6x40 L=8	2	2	2	2	2
59	279.05-91	碟形垫圈	WING WASHER	2	2	2	2	2
60	279.05-110	调节螺钉螺母	REGULATING SCREW NUT SM11/64x40	2	2	2	2	2
61	279.05-86	针距调节指示板	NEEDLE GAGUE REGULATING INDICATOR PLATE	1	1	1	1	1
62	279.05-89	调节螺栓卡簧	REGULATOR BOLT SPRING	1	1	1	1	1
63	279.07-32	调节螺栓卡簧螺钉	REGULATOR BOLT SPRING SCREW SM1/8x40 L=4.5	1	1	1	1	1
64	279.05-88	调节螺栓手轮钮	REGULATOR BOLT HAND WHEEL KNOD	1	1	1	1	1
65	279.05-87	标记牌	MARKING CARD	1	1	1	1	1
66	279.05-74	拉杆曲柄铜轴承	PITMAN ROD CRANK COPPER BEARING	1	1	1	1	1
67	279.05-76	差动扳手扭簧	DIFFERENTIAL FEED HANDLE TORSION SPRING	1	1	1	1	1
68	279.05-77	拉杆曲柄轴挡圈	PITMAN ROD CRANK SHAFT THRUST RING	1	1	1	1	1
69	279.05-78	差动调节曲柄	DIFFERENTRIC REGULATING CRANK	1	1	1	1	1
70	279.05-80	差动调节连杆	DIFFERENTRIC REGULATING CONNECTION LINK	1	1	1	1	1
71	279.05-104	轴定螺钉	CHEESE HEAD SET SCREW	1	1	1	1	1
72	279.01-55	挡油罩	OIL SEAL COVER	1	1	1	1	1
73	279.01-68	挡油罩螺钉	OIL SEAL COVER SCREW SM1/8x44 L=4	2	2	2	2	2
74	279.02-78	针板橡胶垫	NEEDLE PLATE RUBBER CUSHION	1	1	1	1	1
75	279.01-113	螺钉	SCREW	1	1	1	1	1
76	279.06-19	垫圈	WASHER	2	2	2	2	2
77	279.02-77	针板支架	NEEDLE PLATE BRACKET	1	1	1	1	1
78	279.07-73	六角头螺钉	HEXAGON SCREW SM9/64x40 L=7.6	2	2	2	2	2
79	279.02-96	调节螺钉	REGULATING SCREW	1	1	1	1	1
80	279.01-54	油封架座	OIL SEAL BRACKET	1	1	1	1	1
81	279.01-67	油封架螺钉	OIL SEAL BRACKET SCREW SM11/64x40 L=10	2	2	2	2	2
82	279.05-30	牙架导轨	FEED BAR GUIDE RAIL	1	1	1	1	1
83	279.05-50	牙架导轨螺钉	FEED BAR GUIDE RAIL SM11/6x40 L=8	4	4	4	4	4
84	279.05-29	油封	OIL SEAL	1	1	1	1	1
85	279.05-31	密封导架	GASKET GUILD BRACKET	1	1	1	1	1
86	279.01-62	密封导架螺钉	GASKET GUIDE BRACKET SCREW SM1/8x40 L=4.5	4	4	4	4	4
87	279.05-112	方块油塞	SQUARE RUBBER PLUG	1	1	1	1	1
88	279.05-32	密封垫	GASKET WASHER	2	2	2	2	2
89	279.02-84	五线护针板架	FIVE THREAD NEEDLE THREAD GUARD BRACKET	1			1	1
	279.02-84A	三、四线护针板架	THREE ,FOUR THREAD NEEDLE THREAD GUARD BRACKET		1	1		

四、差动部件 DIFFERENTIAL FEED MECHANISM COMPONENTS

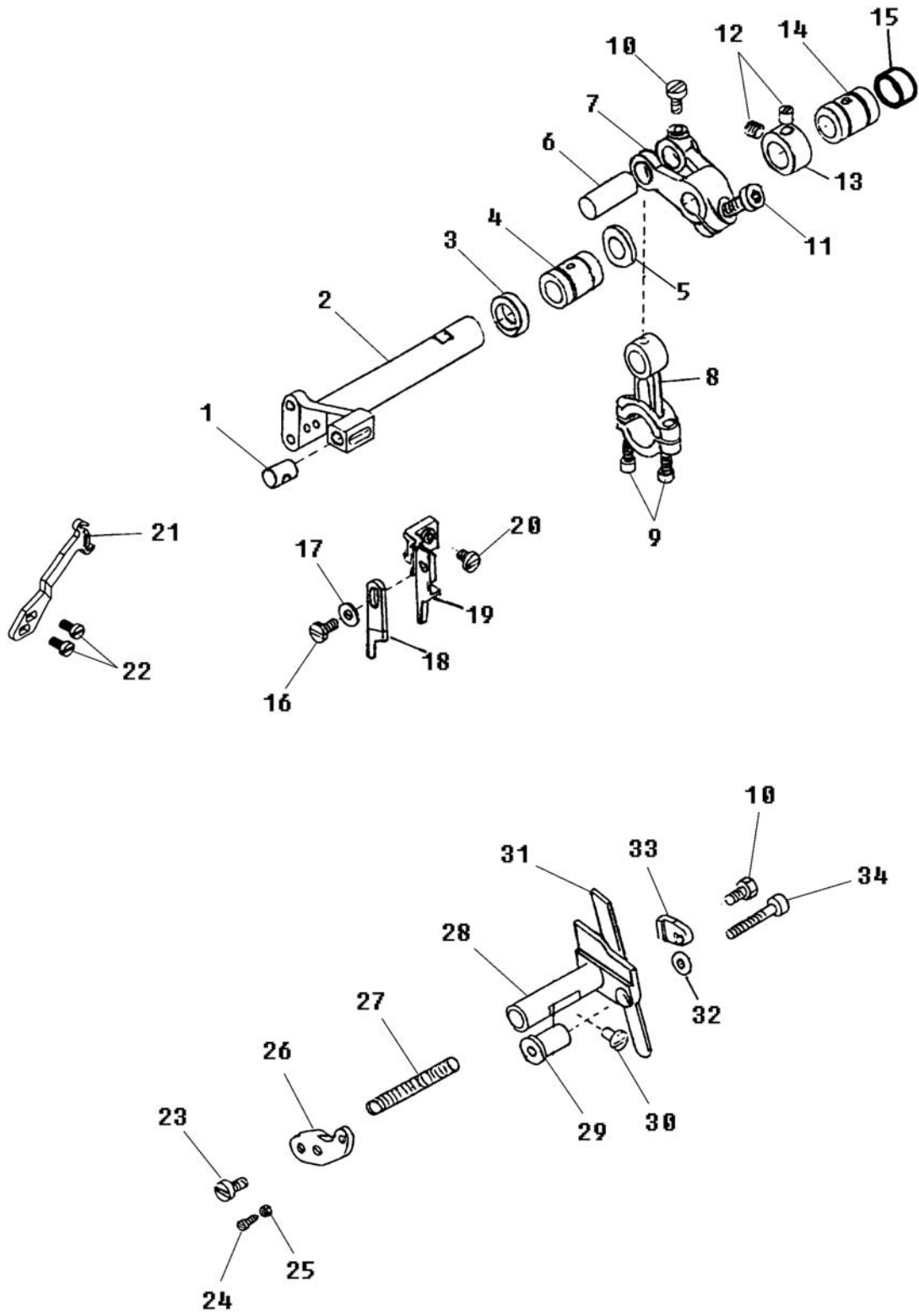




#### 四、差动部件 DIFFERENTIAL FEED MECHANISM COMPONENTS

序号 NO	图号	名称	DESIGNATION	适用产品 (FIT)				
				757	747	737	757H	767
90	279.02-85	前直针后护针板	FRONT NEEDLE BACK NEEDLE THREAD GUARD	1	1	1	1	1
91	279.02-102	护针板螺钉	NEEDLE THREAD GUARD SCREW SM3/32x56 L=6	4	4	4	4	4
92	279.02-86	后直针前护针板	BACK NEEDLE FRONT NEEDLE THREAD GUARD	1	1	1	1	1
93	279.02-80	针板座	NEEDLE PLATE BRACKET	1	1	1	1	1
94	279.02-83	针板定位键	NEEDLE PLATE SET KEY	2	2	2	2	2
95	279.02-99	针板座固定螺钉	NEEDLE PLATE BRACKET FIXING SCREW SM15/64x28 L=10.6	2	2	2	2	2
96	279.02-81	针板座橡胶垫	NEEDLE PLATE BRACKET RUBBER CUSHION	2	2	2	2	2
97	279.02-82	五线前护针板	FIVE-THREAD FRONT NEEDLE THREAD GUARD	1			1	1
	279.02-82A	三、四线前护针板	THREE、FOUR-THREAD FRONT NEEDLE THREAD GUARD		1	1		
98	279.02-91	前护针板螺钉	FRONT NEEDLE THREAD GUARD SCREW SM9/64x40 L=5.5	1	1	1	1	1
99	279.02-79	五线针板	FIVE-THREAD NEEDLE PLATE	1				
	279.02-79A	四线针板	FOUR-THREAD NEEDLE PLATE		1			
	279.02-79B	三线针板	THREE-THREAD NEEDLE PLATE			1		
	206.02-07	五线厚料针板	FIVE-THREAD NEEDLE PLATE				1	
	218.02-79D	六线针板	SIX-THREAD NEEDLE PLATE					1
100	279.02-98	针板螺钉	NEEDLE PLATE SCREW SM11/64x40 L=9	2	2	2	2	2

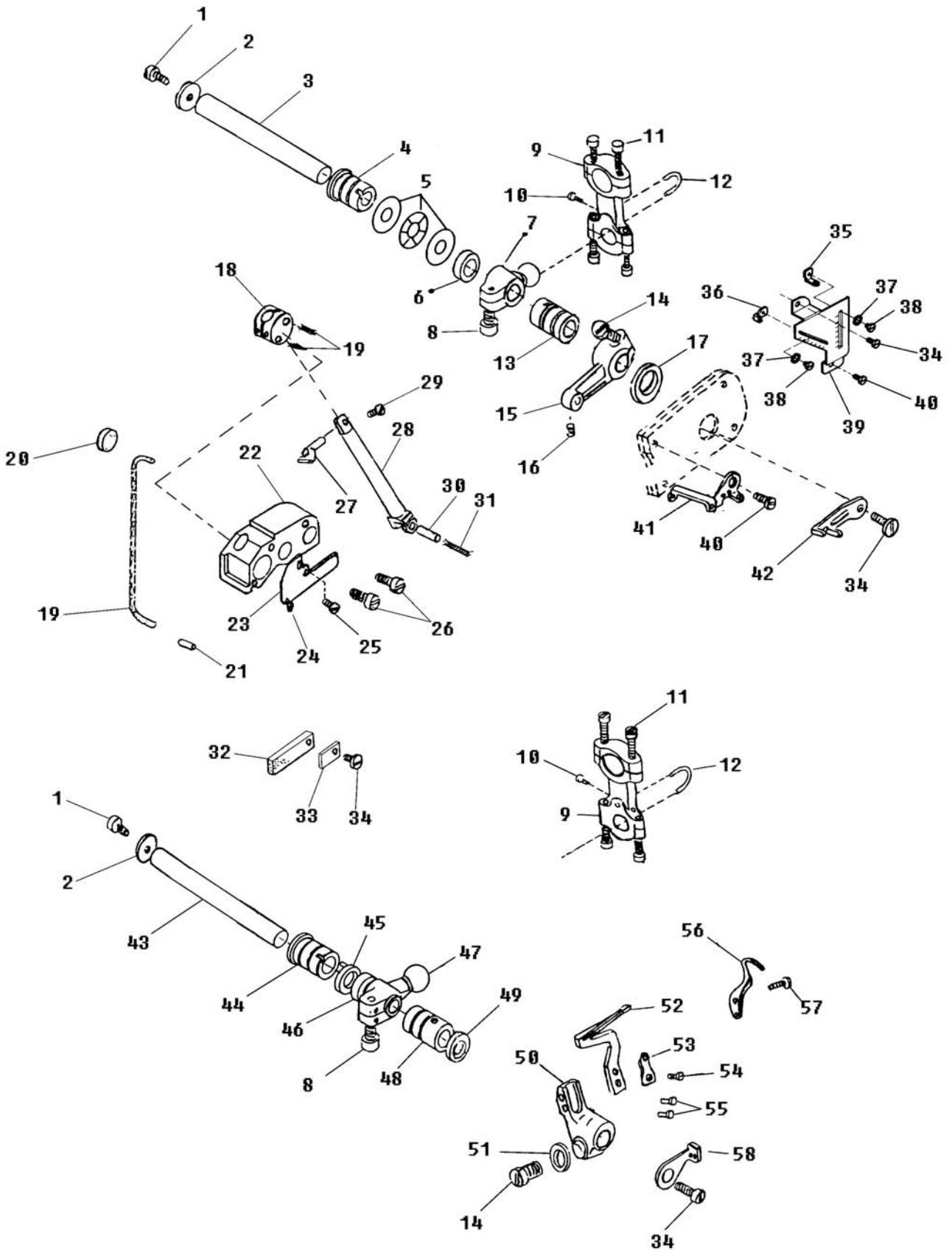
五、上下切刀部件 UPPER&LOWER KNIFE COMPONENTS



五、上下切刀部件 UPPER&LOWER KNIFE COMPONENTS

序号 NO	图号	名称	DESIGNATION	适用产品 (FIT)				
				757	747	737	757H	767
1	279.06-10	短肖子	SHORT PIN	1	1	1	1	1
2	279.06-06	上切刀摆轴	UPPER KNIFE ROCK SHAFT	1	1	1	1	1
3	279.06-01	油封	OIL SEAL	1	1	1	1	1
4	279.06-02	上切刀摆轴右铜轴承	UPPER KNIFE ROCK SHAFT RIGHT COPPER BEARING	1	1	1	1	1
5	279.06-18	垫片	WASHER	1	1	1	1	1
6	279.06-05	上切刀曲柄销	UPPER KNIFE CRANK PIN	1	1	1	1	1
7	279.06-03	上切刀传动曲柄	UPPER KNIFE DRIVING CRANK	1	1	1	1	1
8	279.06-04	上切刀传动连杆	UPPER KNIFE CONNECTION LINK	1	1	1	1	1
9	279.03-28	螺钉	UPPER LOOPER WASHER L=12	2	2	2	2	2
10	279.01-34	开槽六角螺钉	HEXAGON SNAP SCREW SM11/64x40 L=8	2	2	2	2	2
11	279.03-29	圆柱头内六角螺钉	CHEESE HEAD HEXAGONAL SOCKET SET SCREW SM15/64x28 L=15	1	1	1	1	1
12	279.02-53	挡圈紧定螺钉	THRUST RING SET SCREW SM7/32x32 L=6.4	2	2	2	2	2
13	279.06-07	上切刀摆轴挡圈	UPPER KNIFE ROCK SHAFT THRUST RING	1	1	1	1	1
14	279.06-08	上切刀摆轴铜轴承	UPPER KNIFE ROCK SHAFT COPPER BEARING	1	1	1	1	1
15	279.06-09	油封	OIL SEAL	1	1	1	1	1
16	279.07-73	六角头螺钉	HEXAGON SCREW SM9/64x40 L=7.6	1	1	1	1	1
17	279.06-19	垫圈	WASHER	1	1	1	1	1
18	279.06-12	上切刀	UPPER KNIFE	1	1	1		1
	206.02-01	上切刀	UPPER KNIFE				1	
19	279.06-11	上切刀架	UPPER KNIFE BRACKET	1			1	1
	279.06-11A	三、四线上切刀架	THREE、FOUR-THREAD UPPER KNIFE BRACKET		1	1		
20	279.05-50	上切刀架紧固螺钉	UPPER KNIFE BRACKET FIXING SCREW SM11/64x40 L=8	1	1	1	1	1
21	279.02-70	五线上挑线勾	FIVE THREAD UPPER TAKE -UP GUIDE	1			1	1
	279.02-70A	四线上挑线勾	THREE,FOUR THREAD UPPER TAKE -UP GUIDE		1	1		
22	279.02-91	上挑线勾固定螺钉	UPPER TAKE -UP HOOK FIXING SCREW SM9/64x40 L=5.5	2	2	2	2	2
23	279.01-36	固定螺钉	FIXING SCREW SM11/64x40 L=8	1	1	1	1	1
24	279.03-59	调节螺钉	REGULATING SCREW SM9/64x40 L=8	1	1	1	1	1
25	279.01-70	螺母	NUT SM9/64 x40	1	1	1	1	1
26	279.01-47	固定板	SET PLATE	1	1	1	1	1
27	279.06-13	下切刀弹簧	KNIFE BOTTOM SPRING	1	1	1	1	1
28	279.06-14	下切刀架	KNIFE BOTTOM BRACKET	1			1	1
	279.06-14A	下切刀架	KNIFE BOTTOM BRACKET		1	1		
29	279.06-15	定位套筒	STOPPED BUSHING	1	1	1	1	1
30	279.01-32	下切刀架紧定螺钉	KNIFE BOTTOM BRACKET SET SCREW SM11/64x40 L=8	1	1	1	1	1
31	279.06-16	下切刀	KNIFE BOTTOM	1	1	1		1
	206.02-02	下切刀	KNIFE BOTTOM				1	
32	279.06-20	垫圈	WASHER	1	1	1	1	1
33	279.06-17	下切刀压板	KNIFE BOTTOM PRESSER PLATE	1	1	1	1	1
34	279.06-28	下切刀架调节螺钉	KNIFE BOTTOM BRACKET ADJUSTING SCREW SM11/64x40 L=8+18	1	1	1	1	1

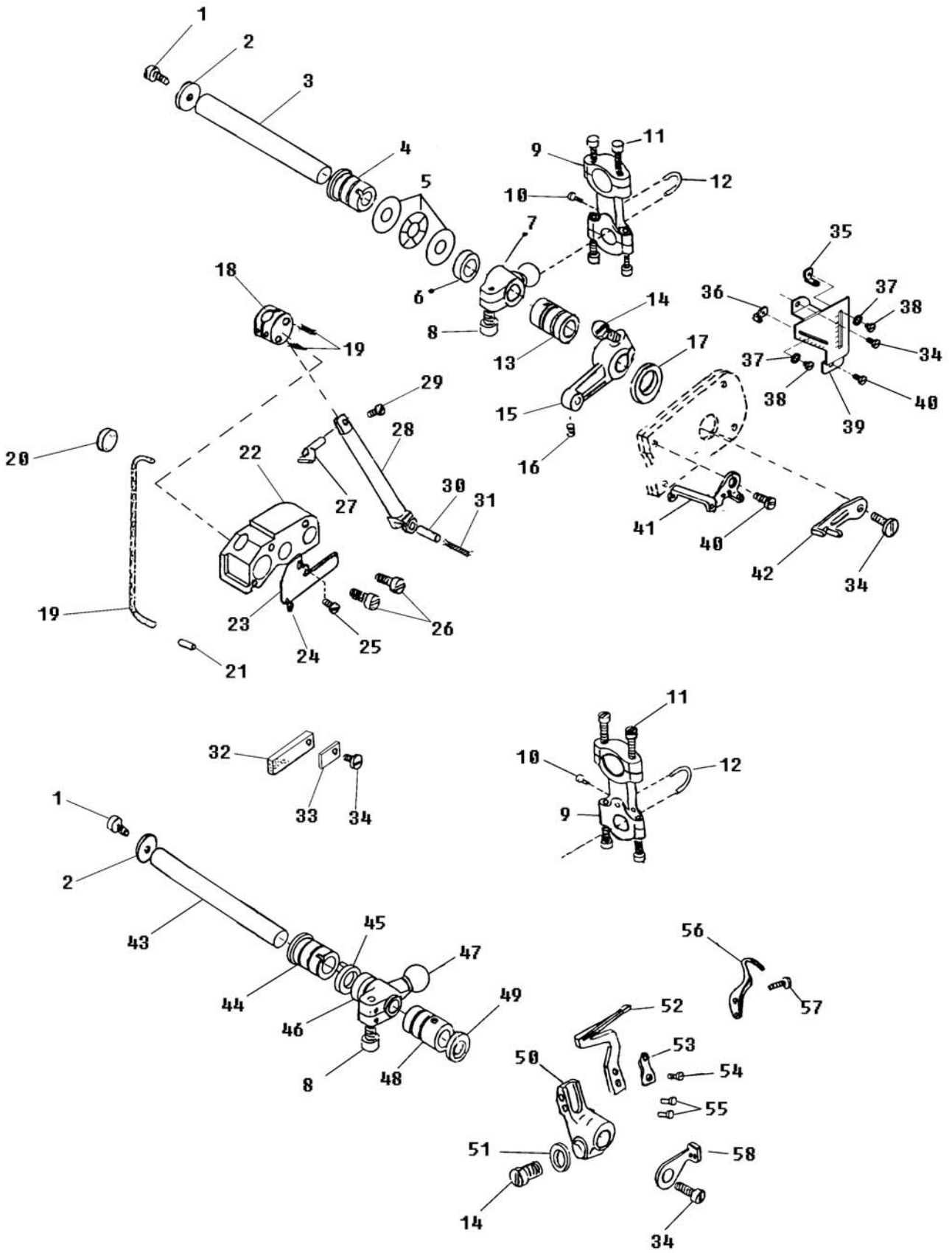
六、上下弯针部件 UPPER&LOWER LOOPER COMPONENTS



## 六、上下弯针部件 UPPER&LOWER LOOPER COMPONENTS

序号 NO	图号	名称	DESIGNATION	适用产品 (FIT)				
				757	747	737	757H	767
1	279.01-34	六角头开槽螺钉	CHEESE HEAD HEXAGONAL SOCKET SCREW SM11/64x40 L=8	2	2	2	2	2
2	279.03-24	上弯针轴垫圈	UPPER LOOPER SHAFT WASHER	2	2	2	2	2
3	279.03-08	上弯针轴	UPPER LOOPER SHAFT	1	1	1	1	1
4	279.03-02	上弯针球曲柄轴后轴承	UPPER LOOPER BALL CRANK SHAFT BACK COPPER BEARING	1	1	1	1	1
5	279.03-07	平面滚针组件	BEARING ASM.	1	1	1	1	1
6	279.03-09	三五线上弯针轴套	UPPER LOOPER BUSHING	1	1	1	1	1
7	279.03-04B	三五线上弯针球曲柄	FOUR ,FIVE THREAD UPPER LOOPER BALL CRANK	1		1	1	1
	279.03-04	四线上弯针球曲柄	THREE THREAD UPPER LOOPER BALL CRANK		1			
8	279.03-29	圆柱头内六角螺钉	THREAD GUIDE WASHER SM15/64x28 L=15	2	2	2	2	2
9	279.03-01	上下弯针球连杆组件	UPPER、 LOWER LOOPER BALL ROD COMPLETE	2	2	2	2	2
10	279.03-30	圆柱头螺钉	CHEESE HEAD SET SCREW SM1/8x44 L=6	2	2	2	2	2
11	279.03-28	螺钉	UPPER LOOPER WASHER SM9/64x40 L=12	8	8	8	8	8
12	279.03-05	上摆轴	UPPER ROCK SHAFT	2	2	2	2	2
13	279.03-03	上弯针球曲柄轴前轴承	UPPER LOOPER BALL CRANK SHAFT FRONT COPPER BEARING	1	1	1	1	1
14	279.03-58	连杆固定螺钉	CONNECTION LINK FIXING SCREW SM15/64x28 L=15	2	2	2	2	2
15	279.03-10	上弯针滑杆连杆	UPPER LOOPER SLIDE BAR CONNECTION LINK	1	1	1	1	1
16	279.01-109	连杆销固定螺钉	CONNECTION LINK PIN FIXING SCREW SM1/8x44 L=3	1	1	1	1	1
17	279.03-12	油封	OIL SEAL	1	1	1	1	1
18	203.01-28	上弯针滑杆滑块	UPPER LOOPER SLIDE BAR BLOCK	1	1	1	1	1
19	279.01-80	油线	OIL WICK	1	1	1	1	1
20	279.01-06	油毡	OIL SEAL	1	1	1	1	1
21	279.05-63	销子	FEED ECCENTRIC WHEEL PIN	1	1	1	1	1
22	279.03-14	上弯针滑杆座	UPPER LOOPER SLIDE BAR BRACKET	1	1	1	1	1
23	279.03-18	挡料板	FABRIC GUIDE PLATE	1	1	1	1	1
24	279.03-36	拦线板螺钉	FABRIC GUIDE PLATE SCREW SM1/8x44 L=6	1	1	1	1	1
25	279.03-38	拦线板螺钉	FABRIC GUIDE PLATE SCREW SM1/8x44 L=3.5	1	1	1	1	1
26	279.03-35	上弯针滑杆座轴螺钉	UPPER LOOPER SLIDE BAR HOLDER SHAFT SCREW SM15/64x28 L=14	2	2	2	2	2
27	279.03-17	上弯针	UPPER LOOPER	1	1	1		1
	206.02-09	上弯针	UPPER LOOPER				1	
28	279.03-16	上弯针滑杆	UPPER LOOPER SLIDE BAR	1	1	1	1	1
29	279.04-18	上弯针紧定螺钉	UPPER LOOPER SET SCREW SM9/64x40 L=6.3	1	1	1	1	1
30	279.03-11	连杆销轴	CONNECTION LINK PIN SHAFT	1	1	1	1	1
31	279.03-63	油线	OIL WICK	1	1	1	1	1
32	203.01-30	油毡	OIL SEAL	1	1	1	1	1
33	203.01-29	油毡压板	PRESS SEAL SPRING	1	1	1	1	1

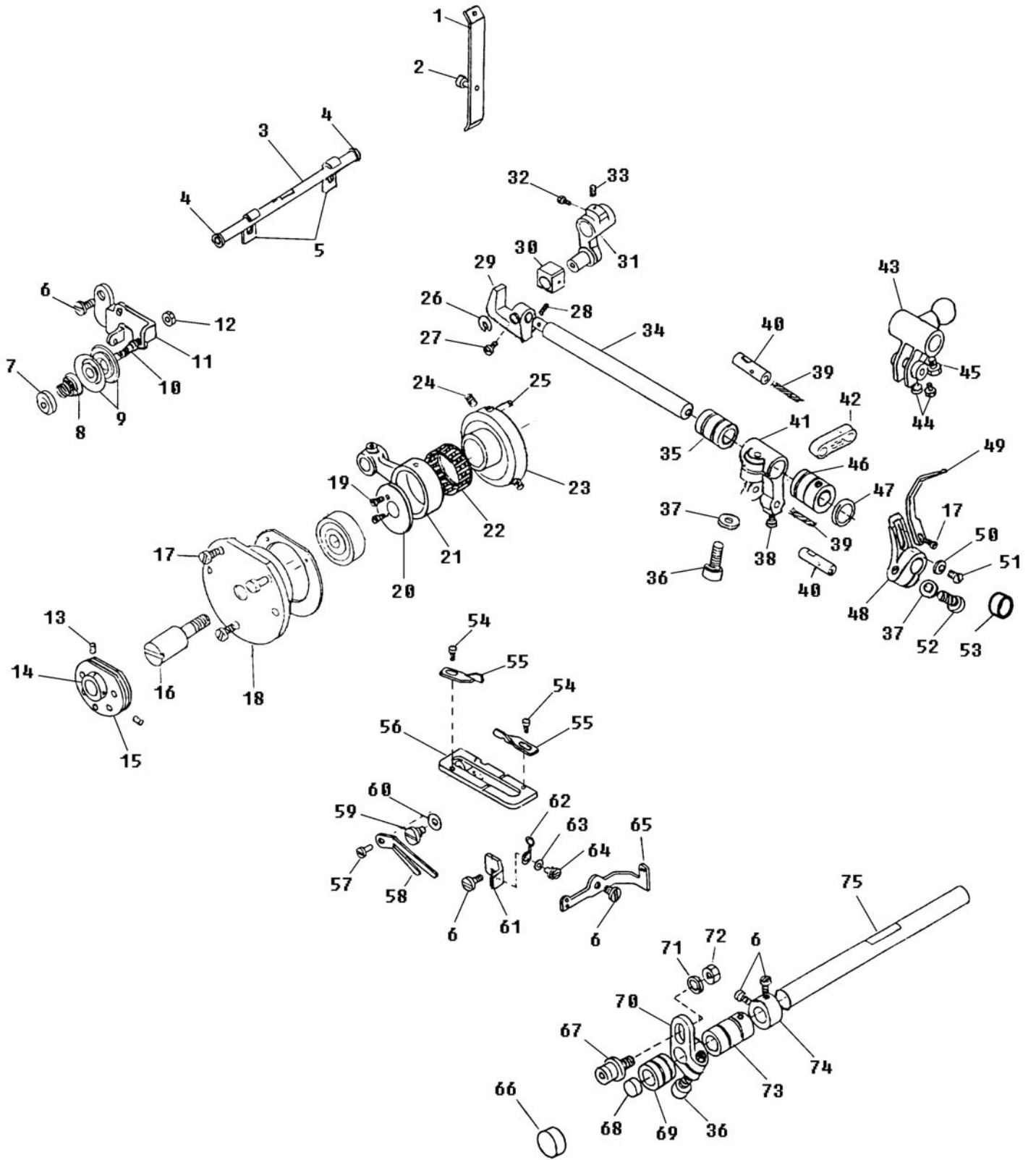
六、上下弯针部件 UPPER&LOWER LOOPER COMPONENTS



## 六、上下弯针部件 UPPER&LOWER LOOPER COMPONENTS

序号 NO	图号	名称	DESIGNATION	适用产品 (FIT)				
				757	747	737	757H	767
34	279.01-36	螺钉	PRESSER SEAL SCREW SM11/64x40 L=5	4	4	4	4	4
35	279.03-22	右穿线板	THREAD GUIDE (RIGHT)	1	1	1	1	1
36	279.03-21	左穿线板	THREAD GUIDE (LEFT)	1	1	1	1	1
37	279.03-27	穿线板垫圈	CONNECTION ROD WASHER	2	2	2	2	2
38	279.03-38	穿线板紧固螺钉	THREAD GUIDE FIXING SCREW SM1/8x44 L=3.5	2	2	2	2	2
39	279.03-23	线量调节板	THREAD AMOUNT REGULATION GRADUATION PLATE	1	1	1	1	1
40	279.01-67	螺钉	SCREW	2	2	2	2	2
41	279.03-19	三眼过线板	THREE-HOLE THREAD GUIDE	1	1	1	1	1
42	279.03-20	双眼过线板	TWO-HOLE THREAD GUIDE	1	1	1	1	1
43	279.03-46	下弯针轴	LOWER LOOPER SHAFT	1	1	1	1	1
44	279.03-41	下弯针架轴后铜轴承	LOWER LOOPER BRACKET SHAFT BACK COPPER BEARING	1	1	1	1	1
45	279.03-42	下弯针轴铜垫	LOWER LOOPER SHAFT COPPER WASHER	1	1	1	1	1
46	279.03-43	下弯针轴套	LOWER LOOPER SHAFT COPPER BUSHING WASHER		1	1		
	279.03-43B	垫圈	WASHER	1			1	1
47	279.03-44B	三线下弯针球曲柄	THREE-THREAD LOWER LOOPER BALL CRANK		1	1		
48	279.03-45	下弯针架轴铜轴承	LOWER LOOPER BRACKET BALL CRANK COPPER BEARING	1	1	1	1	1
49	279.03-47	油封	OIL SEAL	2	1	1	2	2
50	279.03-48	下弯针架	LOWER LOOPER BRACKET	1	1	1	1	1
51	279.04-14	垫圈	WASHER	1	1	1	1	1
52	279.03-50	下弯针	LOWER LOOPER	1	1	1		1
	206.02-10	下弯针	LOWER LOOPER				1	
53	279.03-51	下弯针过线	LOWER LOOPER THREAD GUIDE	1	1	1	1	1
54	279.01-116	螺钉	HINGE SCREW SM9/64x40 L=7.5	3	3	3	3	3
55	279.03-49	定位铆钉	POSITION RIVET	2	2	2	2	2
56	279.02-87	后直针后护针板	BACK NEEDLE BACK NEEDLE THREAD GUARD	1	1	1	1	1
57	279.02-95	螺钉	NEEDLE PLATE BRACKET SET SCREW SM9/64x40 L=10	1	1	1	1	1
58	279.03-52	过线板	THREAD GUIDE PLATE	1	1	1	1	1

七、前弯针部件 CHAIN LOOPER COMPONENTS

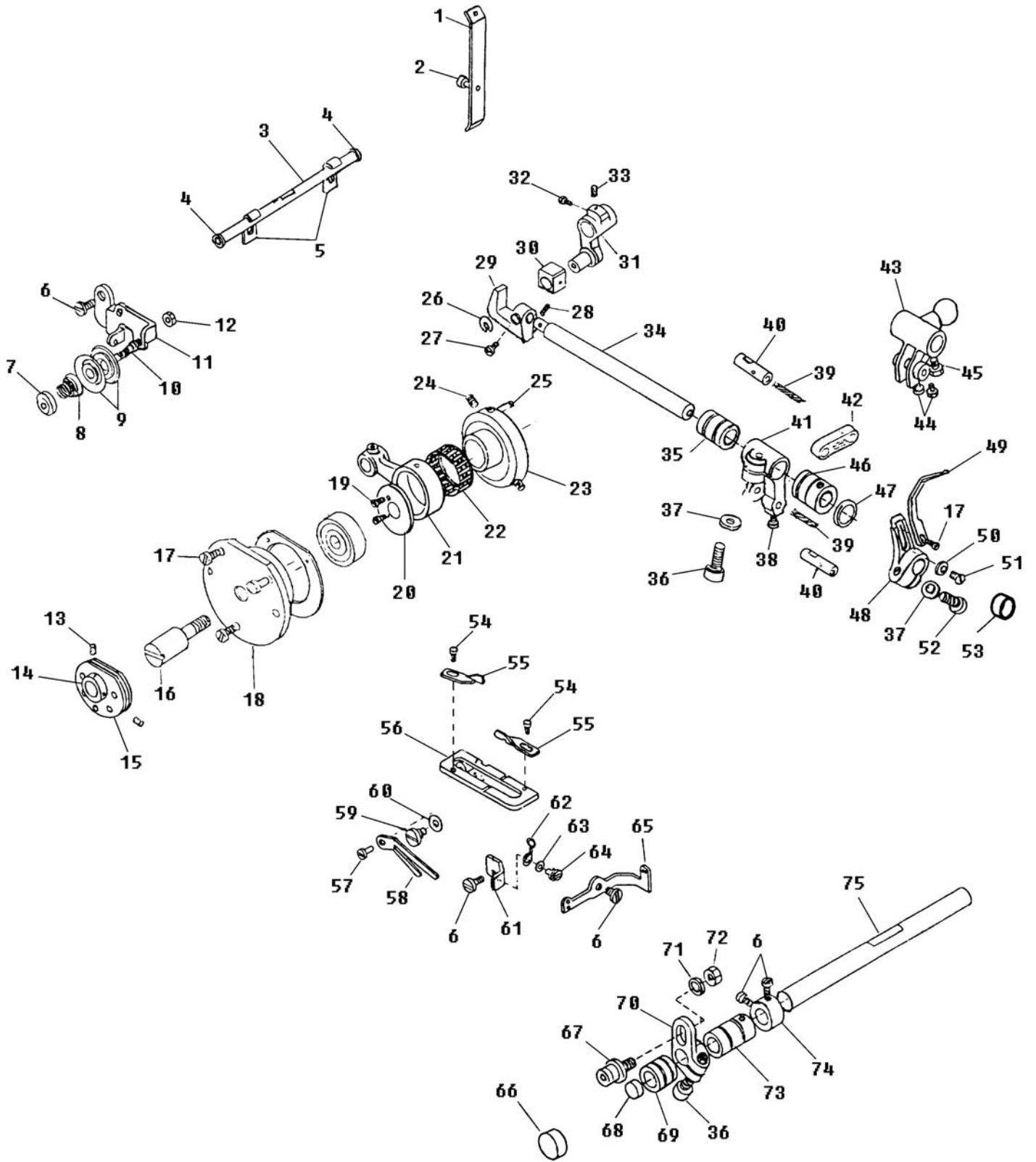




## 七、前弯针部件 CHAIN LOOPER COMPONENTS

序号 NO	图号	名称	DESIGNATION	适用产品 (FIT)				
				757	747	737	757H	767
1	279.04-52	前弯针导线板	FRONT LOOPER THREAD GUIDE PLATE	1			1	1
2	279.09-14	压线器架螺钉	THREAD GUIDE BRACKET SCREW SM11/64x40 L=5.3	1			1	1
3	279.04-53	过线管	THREAD GUIDE TUBE	1			1	1
4	279.04-54	过线管套	THREAD GUIDE TUBE BUSHING	2			2	2
5	279.04-55	过线管压板	THREAD GUIDE TUBE PRESSER PLATE	2			2	2
6	279.01-36	螺钉	PRESSER SEAL SCREW SM11/64x40 L=5	5			5	5
7	279.04-60	压线螺母	THREAD TENSION NUT	1			1	1
8	279.04-59	压线弹簧	THREAD TENSION SPRING	1			1	1
9	279.04-58	压线板	THREAD TENSION DISC	2			2	2
10	279.04-57	压线螺钉	THREAD TENSION POST	1			1	1
11	279.04-56	压线器架	THREAD TENSION BRACKET	1			1	1
12	279.01-71	压线螺钉螺母	THREAD TENSION POST NUT SM11/64X40	1			1	1
13	279.01-109	凸轮固定螺钉	CAM FIXING SCREW SM1/8x44 L=3	2			2	2
14	279.04-43	凸轮轴套	CAM BUSHING	1			1	1
15	279.04-42	张力变换凸轮	THREAD TENSION CHANGE CAM	1			1	1
16	279.04-41	凸轮轴	CAM SHAFT	1			1	1
17	279.03-59	前轴承座螺钉	FRONT BEARING BRACKET SCREW SM9/64x40 L=8	4			4	4
18	279.02-01	五线轴承座	FIVE-THREAD BEARING BRACKET	1			1	1
19	279.05-96	挡圈螺钉	THRUST RING SCREW SM3/32x56 L=3.8	2			2	2
20	279.05-61	横轴曲柄连杆挡圈	LATERAL CRANK CONNECTION LINK THRUST RING	1			1	1
21	279.04-31	横轴曲柄连杆	LATERAL CRANK CONNECTION ROD	1			1	1
22	279.04-32	横轴连杆滚针轴承	LATERAL CONNECTION ROD NEEDLE BEARING	1			1	1
23	279.05-62	送布偏心轮	FEED ECCENTRIC WHEEL	1			1	1
24	279.02-16	紧定螺钉	WORM SET RIVET SM11/64x40 L=5	2			2	2
25	279.05-63	销子	FEED ECCENTRIC WHEEL PIN	1			1	1
26	279.04-12	前弯针曲柄挡圈	FRONT LOOPER CRANK THRUST RING	1			1	1
27	279.04-22	驱动座固定螺钉	DRIVING BRACKET FIXING SCREW SM11/64□40 L=10.8	1			1	1
28	279.04-21	驱动座固定螺钉	DRIVING BRACKET FIXING SCREW SM11/64X40 L=6.3	1			1	1
29	279.04-10	驱动座	DRIVING BRACKET	1			1	1
30	279.04-11	前弯针滑块	FRONT LOOPER BLOCK	1			1	1
31	279.04-35	驱动曲柄	DRIVING CRANK	1			1	1
32	279.04-20	螺钉	THRUST RING SCREW SM11/64x40 L=5.3	1	1	1	1	1
33	279.01-32	螺钉	UPPER COVER (LEFT) FIXING SCREW SM11/64x40 L=8	1	1	1	1	1
34	279.04-09	前弯针轴	FRONT LOOPER SHAFT	1			1	1
35	279.04-01	前弯针纵轴后轴承	FRONT LOOPER LENGTHWISE SHAFT BACK COPPER BEARING	1			1	1
36	279.03-29	圆柱头内六角螺钉	CHEESE HEAD HEXAGONAL SOCKET SCREW SM15/64x28 L=15	2			2	2
37	279.04-14	垫圈	WASHER	2			2	2
38	279.01-32	螺钉	UPPER COVER (LEFT) FIXING SCREW SM11/64x40 L=8	1			1	1
39	279.04-26	油线	OIL WICK	2			2	2
40	279.04-08	前弯针连杆销	FRONT LOOPER LEVER PIN	2			2	2
41	279.04-02	前弯针曲柄	FRONT LOOPER CRANK	1			1	1
42	279.04-07	前弯针连杆	FRONT LOOPER LEVER	1			1	1
43	279.03-44	下弯针轴球曲柄	LOWER LOOPER SHAFT BALL CRANK	1			1	1
44	279.02-103	圆柱头螺钉	CHEESE HEAD SCREW SM9/64x40 L=7.8	2			2	2
45	279.03-57	内六角螺钉	HEXAGONAL SOCKET SCREW SM1/4x40 L=8	2			2	2
46	279.04-03	前弯针纵轴前轴承	FRONT LOOPER LENGTHWISE SHAFT FRONT COPPER BEARING	1			1	1
47	279.03-47	油封	OIL SEAL	2			2	2
48	279.04-05	前弯针架	FRONT LOOPER BRACKET	1			1	1
49	279.04-06	前弯针	FRONT LOOPER	1				1
	206.02-11	前弯针	FRONT LOOPER				1	

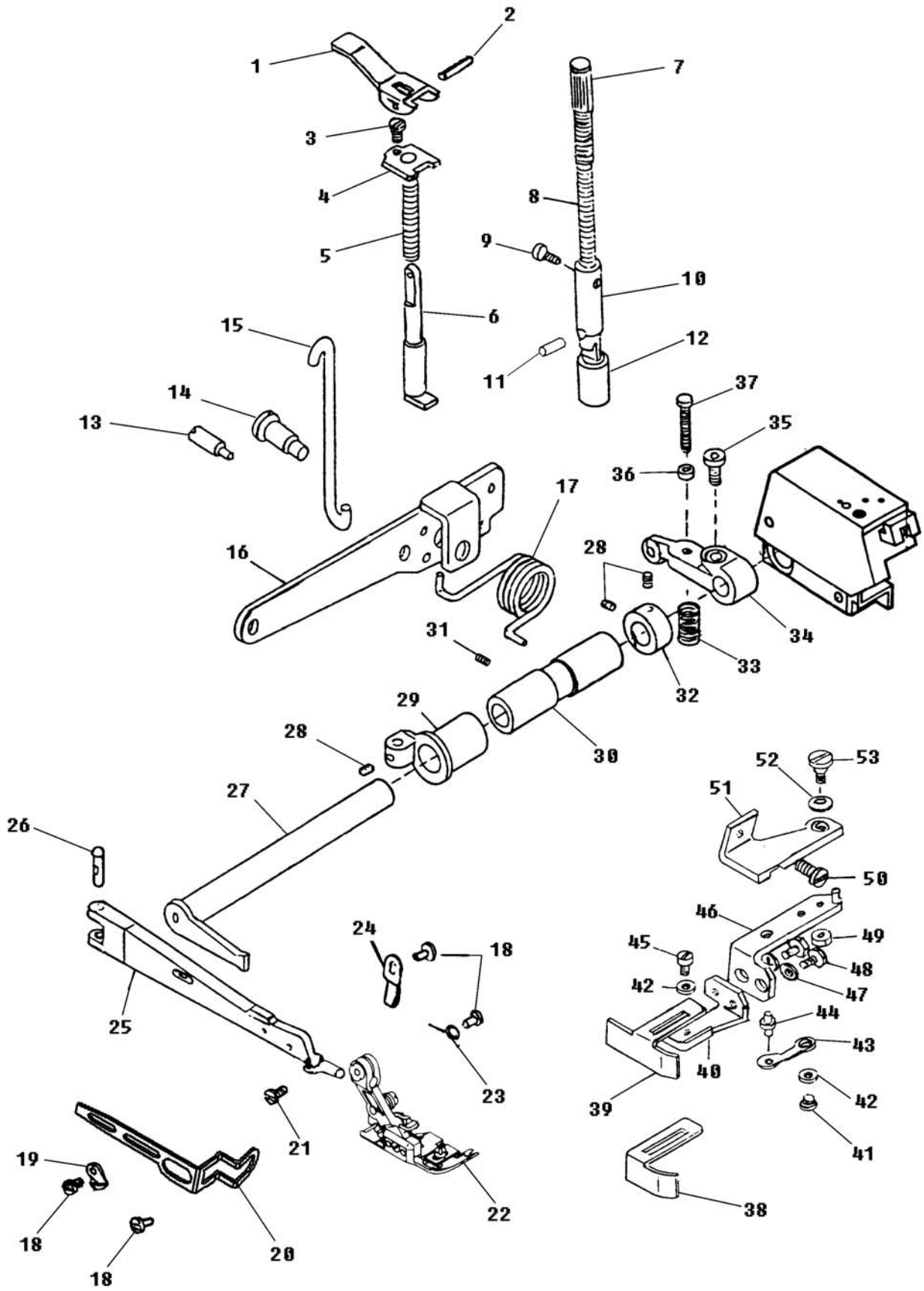
七、前弯针部件 CHAIN LOOPER COMPONENTS



七、前弯针部件 CHAIN LOOPER COMPONENTS

序号 NO	图号	名称	DESIGNATION	适用产品 (FIT)				
				757	747	737	757H	767
50	279.04-15	前弯针调节垫片	FRONT LOOPER ADJUSTING WASHER	1			1	1
51	279.09-15	前弯针定位螺钉	FRONT LOOPER SET SCREW SM3/32x56 L=6	1			1	1
52	279.03-58	前弯针架紧固内六角螺钉	FRONT LOOPER BRACKET FIXING HEXAGONAL SOCKET SCREW	1			1	1
53	279.04-23	三\四线油封	THREE-THREAD OIL SEAL		1	1		
54	279.07-57	过线板螺钉	THREAD GUILD PLATE SCREW SM3/32"x56 L=3	2			2	2
55	279.04-49	过线板	THREAD GUIDE PLATE	2			2	2
56	279.04-46	前弯针导线架	FRONT LOOPER THREAD GUIDE BRACKET	1			1	1
57	279.02-103	导线板螺钉	THREAD GUILD PLATE SCREW SM9/64x40 L=7.8	1			1	1
58	279.04-48	导线板	THREAD GUIDE PLATE	1			1	1
59	279.04-68	导线架螺钉	THREAD GUILD BRACKET SCREW	1			1	1
60	279.04-62	波形垫圈	WASHER	2			2	2
61	279.04-50	限位板	DIRECTION-LIMITED PLATE	1			1	1
62	279.04-51	过线环	THREAD GUIDE HOOK	1			1	1
63	279.04-63	垫圈	WASHER	1			1	1
64	279.01-112	过线环螺钉	THREAD GUIDE HOOK SCREW SM9/64x40 L=4	1			1	1
65	279.04-45	二眼过线	TWO-HOLE THREAD GUIDE	1			1	1
66	279.05-17	油封	OIL SEAL		1	1		
67	279.04-38	曲柄销	CRANK PIN	1			1	1
68	279.04-40	油封	OIL SEAL	1			1	1
69	279.04-33	前弯针横轴铜轴承	FRONT LOOPER LATERAL SHAFT FRONT COPPER BEARING	1			1	1
70	279.04-34	横轴曲柄架	LATERAL CRANK BRACKET	1			1	1
71	279.04-61	曲柄调整销垫圈	CRANK REGULATING PIN WASHER	1			1	1
72	279.04-65	曲柄调整销螺母	CRANK REGULATING PIN NUT SM7/32x32	1			1	1
73	279.04-36	前弯针横轴前铜轴承	FRONT LOOPER LATERAL SHAFT FRONT COPPER BEARING (RIGHT)	1			1	1
74	279.04-37	横轴挡圈	LATERAL THRUST RING	1			1	1
75	279.04-39	前弯针横轴	FRONT LOOPER LATERAL SHAFT	1			1	1

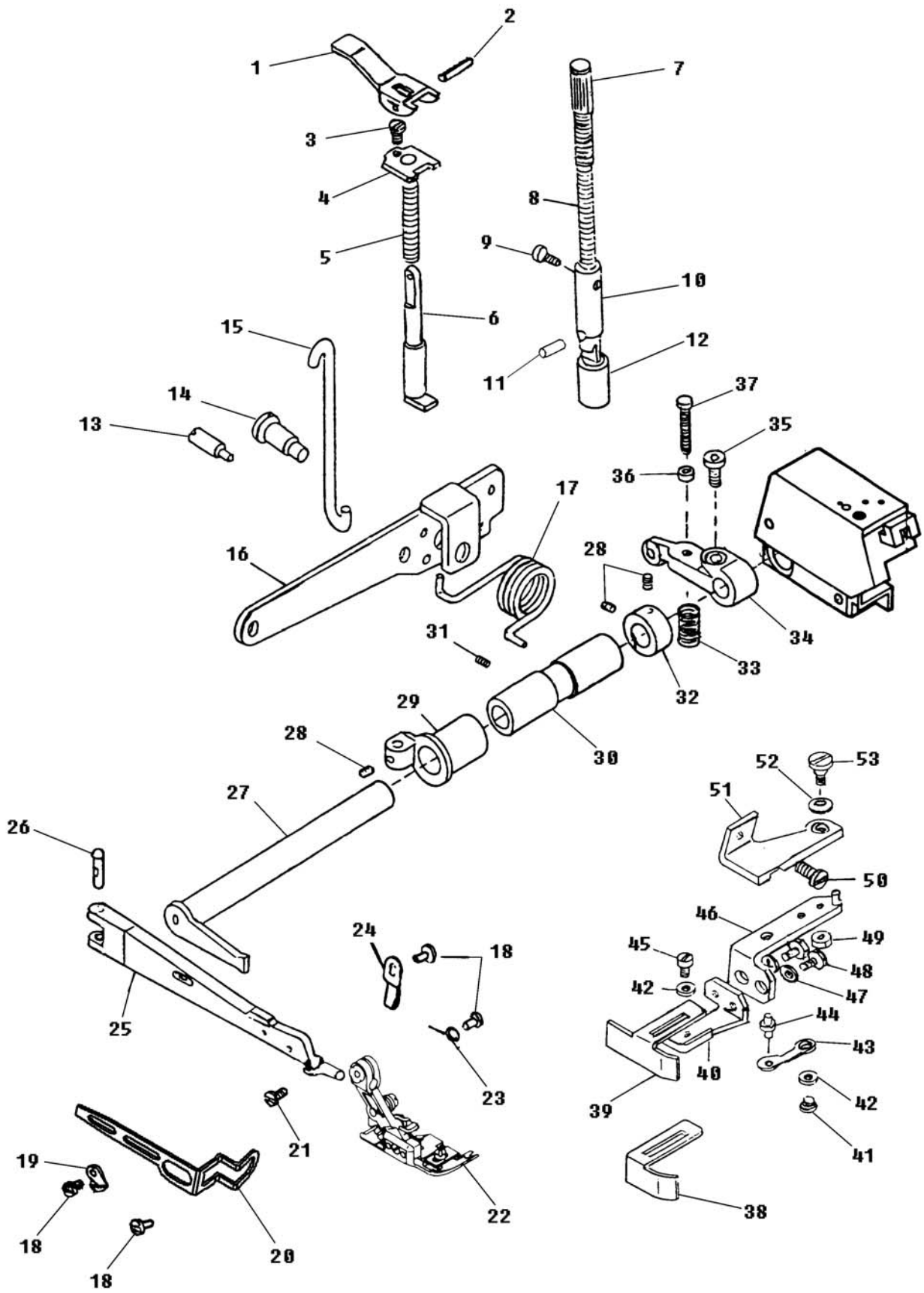
八、抬压脚部件 PRESSER FOOT LIFTER COMPONENTS



## 八、拾压脚部件 PRESSER FOOT LIFTER COMPONENTS

序号 NO	图号	名称	DESIGNATION	适用产品 (FIT)				
				757	747	737	757H	767
1	279.07-09	拾压脚扳手	PRESSER FOOT LIFTING HANDLE	1	1	1	1	1
2	279.07-58	弹性圆柱销	PIN	1	1	1	1	1
3	279.03-30	拾压脚杠杆盖板螺钉	PRESSER FOOT LIFTING LEVRE COVER SCREW SM1/8x40 L=6	1	1	1	1	1
4	279.07-08	拾压脚杆盖板	PRESSER FOOT LIFTING LEVER COVER	1	1	1	1	1
5	279.07-07	拾压脚弹簧	PRESSER FOOT LIFTING SPRING	1	1	1	1	1
6	279.07-06	拾压脚杆	PRESSER FOOT LIFTING ROD	1	1	1	1	1
7	279.07-05	调压螺钉	PRESSER REGULATING SCREW	1	1	1	1	1
8	279.07-04	压杆弹簧	PRESSER BAR SPRING	1	1	1	1	1
9	279.07-22	压杆头限位螺钉	PRESSER BAR TOB STOPER SCREW	1	1	1	1	1
10	279.07-03	压杆头	PRESSER BAR TOB	1	1	1	1	1
11	279.07-02	弹性销	FLEXICIBLE PIN	1	1	1	1	1
12	203.01-15	压杆套	PRESSER BAR BUSHING	1	1	1	1	1
13	279.07-29	拾压脚杠杆定位螺钉	PRESSER FOOT LIFTING LEVER LINK POSITION SCREW	1	1	1	1	1
14	279.07-30	拾压脚杠杆轴位螺钉	PRESSER FOOT LIFTING LEVER LINK CHEESE HEAD SET SCREW	1	1	1	1	1
15	279.07-21	吊钩	PRESSER FOOT LIFTING HOOK	1	1	1	1	1
16	279.07-19	拾压脚杠杆	PRESSED FOOT LIFTING LEVER LINK	1	1	1	1	1
17	279.07-20	杠杆弹簧	PRESSER FOOT LIFTING LEVER LINK SPRING	1	1	1	1	1
18	279.07-26	螺钉	SPRING STOPER SCREW SM1/8x44 L=4	3	3	3	3	3
19	279.07-15	割线刀	THREAD CUTTER	1	1	1	1	1
20	279.07-32	上护针	UPPER NEEDLE THREAD GUARD	1	1	1	1	1
21	279.07-40	螺钉	SCREW SM9/64x40 L=6.5	1	1	1	1	1
22	279.07-33	压脚组件	PRESSER FOOT COMPLETE	1				
	279.07-33A	压脚组件	PRESSER FOOT COMPLETE		1			
	279.07-33B	压脚组件	PRESSER FOOT COMPLETE			1		
	206.07-33C	压脚组件	PRESSER FOOT COMPLETE				1	
	218.07-33D	压脚组件	PRESSER FOOT COMPLETE					1
23	279.07-36	弹簧	SPRING	1			1	
24	279.07-53	四线压脚调节板	FOUR-THREAD PRESSER FOOT ADJUSTING PLATE		1	1		
25	279.07-14	拾压脚臂	PRESSER FOOT LIFTING ARM	1	1	1	1	1
26	279.07-12	铰链销	HINGE PIN	1	1	1	1	1
27	279.07-13	拾压脚组件	PRESSER FOOT LIFTING COMPLETE	1	1	1	1	1
28	279.01-109	内六角紧定螺钉	HEXAGONAL SOCKET SET SCREW SM1/8x40 L=3	3	3	3	3	3
29	279.07-11	压脚臂铰链	PRESSER FOOT ARM HINGE	1	1	1	1	1
30	279.07-10	压脚轴套	PRESSER FOOT SHAFT BUSHING	1	1	1	1	1
31	279.02-16	压脚轴套固定螺钉	PRESSER FOOT SHAFT BUSHING FIXING SCREW SM11/64x40 L=4.8	1	1	1	1	1
32	279.07-16	挡圈	THRUST RING	1	1	1	1	1
33	279.07-18	杠杆弹簧	PRESSER FOOT LIFTING LEVER SPRING	1	1	1	1	1
34	279.07-17	拾压脚轴杠杆	PRESSER FOOT LIFTING SHAFT LEVER	1	1	1	1	1
35	279.03-58	内六角紧定螺钉	HEXAGONAL SOCKET SET SCREW SM15/64x28 L=15	1	1	1	1	1
36	279.01-71	螺母	NUT SM11/64X40	1	1	1	1	1
37	279.07-28	限位螺钉	STOPER SCREW SM11/64x40 L=25	1	1	1	1	1
38	279.07-66	导布调节板	WING WASHER	1			1	1
39	279.07-66B	导布调节板	GUILD ADJUSTING PLATE		1	1		
40	279.07-65	导布支架	GUILD BRACKET	1	1	1	1	1

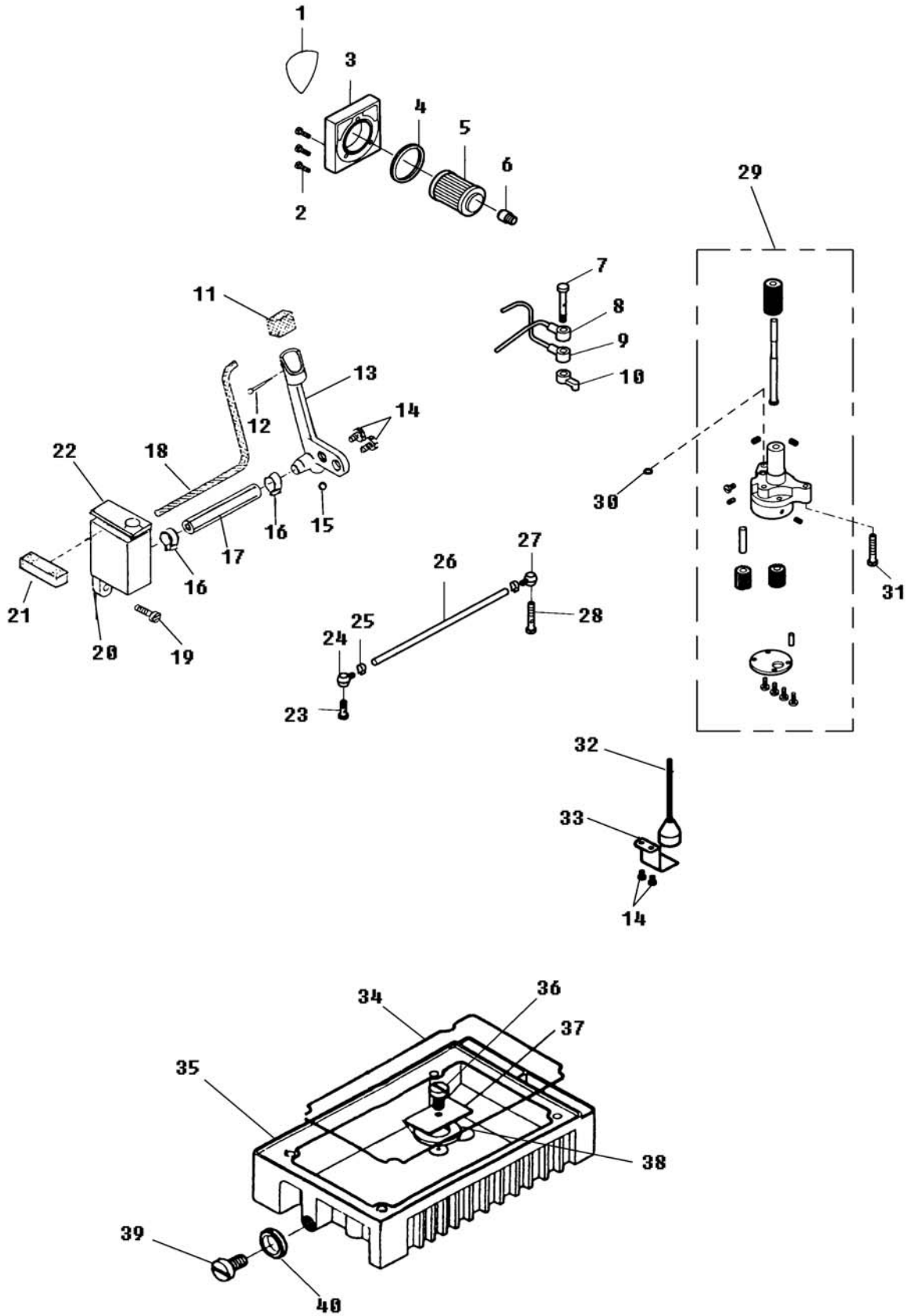
八、抬压脚部件 PRESSER FOOT LIFTER COMPONENTS



## 八、拾压脚部件 PRESSER FOOT LIFTER COMPONENTS

序号 NO	图号	名称	DESIGNATION	适用产品 (FIT)				
				757	747	737	757H	767
41	279.01-112	圆头螺钉	CHEESE HEAD SCREW SM9/64x40 L=4	1	1	1	1	1
42	279.07-68	垫圈	WASHER	2	2	2	2	2
43	279.07-64	弹簧	SPRING	1	1	1	1	1
44	279.07-63	定位销	POSITION PIN	1	1	1	1	1
45	279.04-18	半圆头螺钉	HALF ROUND HEAD SCREW SM9/64x40 L=6.3	1	1	1	1	1
46	279.07-62	铰链	HINGE	1	1	1	1	1
47	279.07-69	垫圈	WASHER	3	3	3	3	3
48	279.03-59	前轴承座螺钉	FRONT BEARING BRACKET SCREW SM9/64x40 L=8	2	2	2	2	2
49	279.01-71	螺母	NUT SM11/64x40	1	1	1	1	1
50	279.01-32	球面圆柱头螺钉	BALL FACE CHEESE HEAD SCREW SM11/64x40 L=8	1	1	1	1	1
51	279.07-61	导布托架	GUILD BRACKET	1	1	1	1	1
52	279.05-91	垫圈	WASHER	1	1	1	1	1
53	279.07-71	铰链螺钉	HINGE SCREW	1	1	1	1	1

九、供油部件 LUBRICATION MECHANISM COMPONENTS

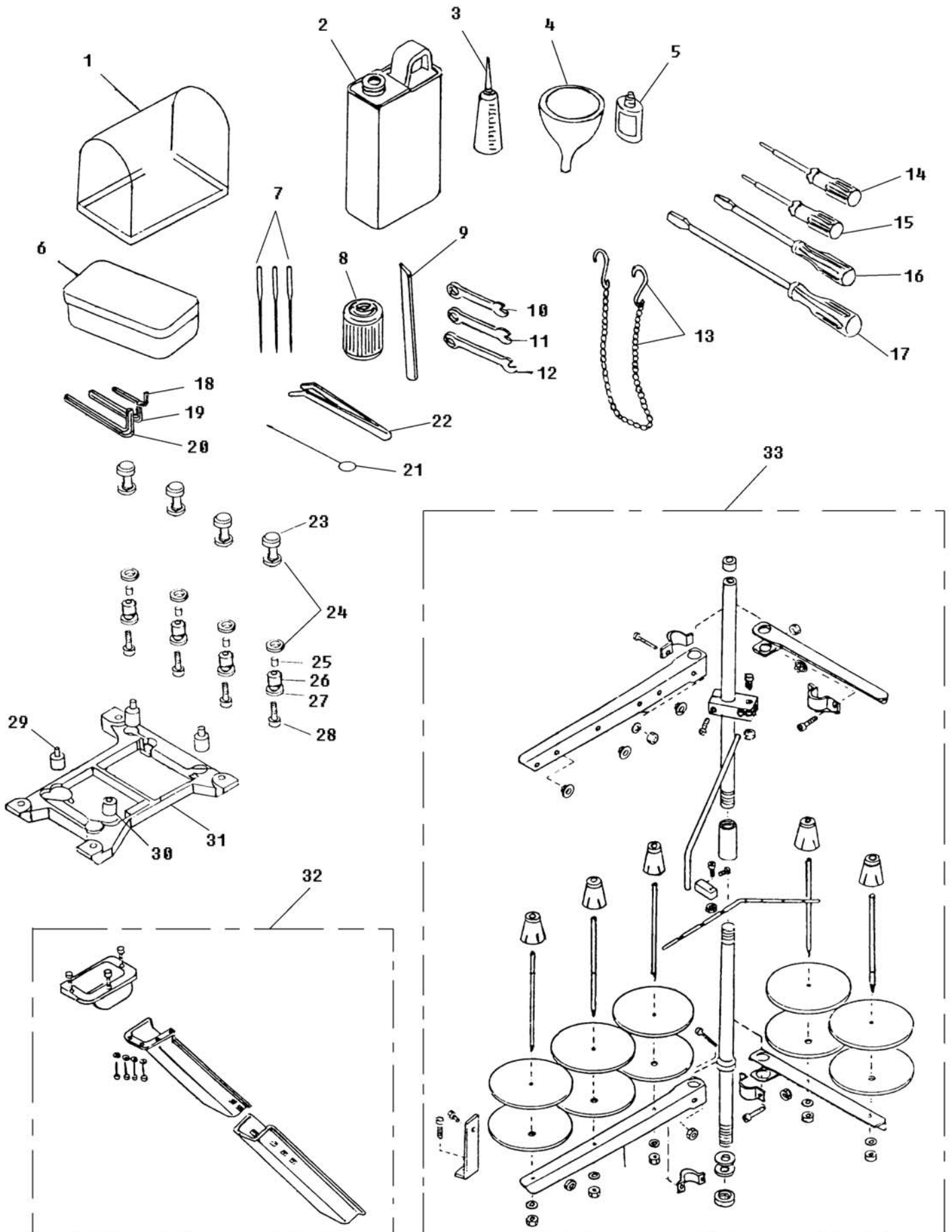




## 九、供油部件 LUBRICATION MECHANISM COMPONENTS

序号 NO	图号	名称	DESIGNATION	适用产品 (FIT)				
				757	747	737	757H	767
1	279.08-26	指示牌	INDICATOR PLATE	1	1	1	1	1
2	279.08-41	滤油器盖固定螺钉	OIL FILTER COVER FIXING SCREW SM11/64x40 L=15	3	3	3	3	3
3	279.08-25	滤油器盖	OIL FILTER COVER	1	1	1	1	1
4	279.08-24	油封	OIL SEAL	1	1	1	1	1
5	279.08-23	纸质滤油器	SPACE OIL CLEANER	1	1	1	1	1
6	279.08-22	滤油器定位接头	OIL CLEANER STOPPER JOINT	1	1	1	1	1
7	279.08-21	铜油管连接螺栓	COPPER OIL TUBE CONNECTION BOLT	1	1	1	1	1
8	279.08-17	紫铜油管	COPPER OIL TUBE	1	1	1	1	1
9	279.08-18	紫铜油管	COPPER OIL TUBE	1	1	1	1	1
10	279.08-16	油管固定套	OIL TUBE SET BUSHING	1	1	1	1	1
11	279.09-08	油毡	OIL SEAL	1			1	1
	279.09-08B	油毡	OIL SEAL		1	1		
12	279.09-20	大头针	PIN	1	1	1	1	1
13	279.09-07	机针冷却器	NEEDLE COOLER	1			1	1
	279.09-07B	三、四线机针冷却器	THREE、FOUR-THREAD NEEDLE COOLER		1	1		
14	279.01-32	机针冷却器螺钉	NEEDLE COOLER SCREW SM11/64x40 L=8	4	4	4	4	4
15	279.09-19	钢球	BALL	1	1	1	1	1
16	279.09-10	油管卡簧	OIL TUBE SPRING	2	2	2	2	2
17	279.09-09	油管	OIL TUBE	1	1	1	1	1
18	279.09-18	油线	OIL WICK	1	1	1	1	1
19	279.05-50	固定螺钉	FIXING SCREW SM11/64x40 L=8	1	1	1	1	1
20	279.09-11	小油箱	SMALL OIL TANK	1	1	1	1	1
21	279.09-12	滤油毡	FILTER OIL SEAL	1	1	1	1	1
22	279.09-13	小油箱盖	SMALL OIL TANK COVER	1	1	1	1	1
23	279.08-15	螺钉	SCREW	1	1	1	1	1
24	279.08-14	油管活接头	OIL TUBE HINGED JOINT	1	1	1	1	1
25	279.08-13	油管卡簧	OIL TUBE SPRING	2	2	2	2	2
26	279.08-12	油管	OIL TUBE	1	1	1	1	1
27	279.08-11	油管活接头	OIL TUBE HINGED JOINT	1	1	1	1	1
28	279.08-10	螺钉	SCREW	1	1	1	1	1
29	279.08-01A	油泵组件	OIL PUMP INSTALLING BASE	1	1	1	1	1
30	279.08-29	密封圈	GASKET WASHER	1	1	1	1	1
31	279.08-43	螺钉	SCREW SM11/64x40 L=4+15	1	1	1	1	1
32	279.08-27	浮标组件	DOBBER ASM	1	1	1	1	1
33	279.08-28	浮标挡板	DOBBER FABRIC PLATE	1	1	1	1	1
34	279.08-30	油盘油封	OIL RESERVOIR GASKET	1	1	1	1	1
35	279.08-33	油盘	OIL RESERVOIR	1	1	1	1	1
36	279.08-44	磁铁座螺钉	MAGNET INSTALLING BASE SCREW SM11/64x40 L=8	1	1	1	1	1
37	279.08-32	磁铁座	MAGNET INSTALLING BASE	1	1	1	1	1
38	279.08-31	磁铁	MAGNET	2	2	2	2	2
39	279.08-46	放油螺钉	PUT OIL SCREW SM3/8x28 L=12	1	1	1	1	1
40	279.08-34	油封	OIL SEAL	1	1	1	1	1

十、附件部件 ACCESSORIES COMPONENTS



十、附件部件 ACCESSORIES COMPONENTS

序号 NO	图号	名称	DESIGNATION	适用产品 (FIT)				
				757	747	737	757H	767
1	279.11-25	附件盒	SAFETY BUSHING	1	1	1	1	1
2	279.11-16	大油壶	OIL POT	1	1	1	1	1
3	279.11-18	小油壶	SMALL OIL POT	1	1	1	1	1
4	279.11-17	漏斗	FILLER	1	1	1	1	1
5	279.11-19	硅油壶	SILICONE OIL BOX	1	1	1	1	1
6	279.11-20	附件盒	ACCESSORIES BOX	1	1	1	1	1
7	279.02-30	DCX27 11#机针	14#NEEDLE		3	3		
	279.02-30A	DCX27 14#机针	11#NEEDLE	3				3
	206.02-08	DCX27 18#机针	18#NEEDLE				3	
8	279.08-23	纸质滤油器	SPACE OIL CLEANER	2	2	2	2	2
9	279.06-16	下切刀	KNIFE BOTTOM	1	1	1		1
10	279.11-22A	双头扳手 (6)	TWO-HEAD DRIVER	1	1	1	1	1
11	279.11-22B	双头扳手 (7)	TWO-HEAD DRIVER	1	1	1	1	1
12	279.11-22	双头扳手 (8)	TWO-HEAD DRIVER	1	1	1	1	1
13	279.11-12	链条组件	CHAIN	1	1	1	1	1
14	279.11-29	内六角扳手 (1.5)	HEXAGON WRENCH (1.5)	1	1	1	1	1
15	279.11-28	内六角扳手 (2)	HEXAGON WRENCH (2)	1	1	1	1	1
16	279.11-15A	螺丝刀 (中)	SCREW DRIVER (MIDDLE)	1	1	1	1	1
17	279.11-15	螺丝刀 (大)	SCREW DRIVER (LARGE)	1	1	1	1	1
18	279.11-23A	内六角扳手 (3)	HEXAGON WRENCH (3)	1	1	1	1	1
19	279.11-23B	内六角扳手 (5)	HEXAGON WRENCH (5)	1	1	1	1	1
20	279.11-23C	内六角扳手 (6)	HEXAGON WRENCH (6)	1	1	1	1	1
21	279.11-21	线勾	STITCH HOOK	1			1	1
22	279.11-24	镊子	TWEEZER	1	1	1	1	1
23	279.11-02	托盘固定螺套	BRACKET PLATE SET BOLT	4	4	4	4	4
24	279.11-05-02	托盘垫片	WASHER	8	8	8	8	8
25	279.11-04	台板托盘连接内垫	LIFTER TABLE BRACKET PLATE CONNECTING INNER WASHER	4	4	4	4	4
26	279.11-03	台板托盘连接垫	LIFTER TABLE BRACKET PLATE CONNECTING WASHER	4	4	4	4	4
27	279.11-05-01	托盘连接垫片	BRACKET PLATE WASHER	4	4	4	4	4
28	279.11-05	托盘螺钉	BRACKET PLATE SCREW	4	4	4	4	4
29	279.11-06	机头防震销垫片	MACHINE HEAD SHOCKPROOF PIN WASHER	3	3	3	3	3
30	279.11-07	机头防震垫	MACHINE HEAD SHOCKPROOF WASHER	1	1	1	1	1
31	279.11-01	抬板托盘	LIFTER TABLE BRACKET PLATE	1	1	1	1	1
32	279.11-08	废料漏斗组件	FLOT ASM.	1	1	1	1	1
33	279.10-00	五线架组件	FIVE-THREAD STANDING DEVICE ASM.	1			1	
	203.10-00B	四线架组件	FOUR-THREAD STANDING DEVICE ASM.		1			
	201.10-00A	三线架组件	THREE-THREAD STANDING DEVICE ASM.			1		
	218.10-001	六线架组件	SIX-THREAD STANDING DEVICE ASM.					1

2). Needle position button: Keep pressing P 1 second, the LED display y-dn means up and down needle position function. (photo 6)

3). Direction button: Keep Pressing S 5 seconds, LED displaying d-01 is clockwise direction.(photo7) Press+, LED display d-02 is anticlockwise direction. (photo8)

#### 4. 使用环境要求 Operational Requirements

- 1). 使用本系统时，应远离强磁场或高辐射环境，以免受到干扰而发生误动作。
- 2). 请不要在室内温度高于40℃和低于5℃的环境下使用。
- 3). 请不要在热源（暖气电热器）旁使用。
- 4). 请不要在过潮过湿的环境下使用。
- 5). 请不要在有腐蚀性、爆炸性物质的环境下使用。
- 6). 控制器及电机附近不可堆放杂物以免阻塞气流通，导致散热不畅。
- 7). 用户供电电压应保持稳定。

#### 5. 故障显示代码及排除方法

##### Fault codes and solving methods

故障代码 Fault Code	故障名称 Fault Meaning	故障原因分析 Reason	解决方案 Solution
Er-1	过流及短路 Over Current and Short Circuit	检查电机U、V、W接线是否短接，功率管是否击穿 Check whether the motor's U、V and W wiring is short circuited and whether the power tube is broken down.	查明U、V、W接线短接处并更正；检查控制板Q1-Q6的D、S端是否短路，将有短路现象的更换； Find the short circuit places of the U、V and W wiring and then eliminate them; check whether control board Q1-Q6's D and S units are short circuited and then change the short circuit unit.
Er-2	电机堵转保护 Motor Rotating Obstruction Protection	检查十孔插头是否插牢，缝纫机头是否卡死 Check whether the ten-hole plug is well inserted and whether the head of sewing machine gets stuck.	将电机U、V、W接线检查是否可靠接触，缝纫机机头卡死维修。 Make sure the motor's U、V and W wiring are well contacted and maintain the head of sewing machine.
Er-3	欠压保护 Under-voltage protection	电网电压输入过低 Power supply voltage is too low.	装配稳压器或者寻求正常电网供电； Equip voltage stabilizer or use normal supply voltage.
Er-4	霍尔信号异常 Hall Signal Abnormal	检查十孔插头是否插牢，十孔插头上的红黄绿蓝黑小线是否有脱落。没有可靠接地，雷击导致霍尔损坏。 Check whether the ten-hole plug is well inserted and whether the red, yellow, green, blue and black wires in ten-hole plug fall off. Without safely connecting the ground, lightning stroke causes the damage of Hall.	关闭电源，拔下十孔插头重新插，开机仍然报E-6需更换电机霍尔，必须专业人员更换。 Turn off the power, disconnect the ten-hole plug and insert again. If still displaying E-6 after restarting, the motor hall should be changed by professionals only.
Er-5	定位传感器 Fault on Up Needle Position in Positioning Sensor	1检查四孔插头是否插牢，检查插头上黑线是否脱落。 2开机转动手轮是否有红灯亮。 1 Check whether the four-hole plug is well inserted and whether the black wire in the plug falls off. 2 Check whether the red light turns on when starting and rotating the hand wheel.	关闭电源，拔下十孔插头重新插，开机仍然报E-5需更换定位传感器，必须专业人员更换。 Turn off the power, disconnect the ten-hole plug, and insert again. If still displaying E-5 after restarting, the positioning sensor should be changed by professionals only.
Er-6	定位传感器 Fault on Down Needle Position in Positioning Sensor	1检查四孔插头是否插牢，检查插头上白线是否脱落。 2开机转动手轮是否有绿灯亮。 1 Check whether the four-hole plug is well inserted and whether the white wire in the plug falls off. 2 Check whether the green light turns on when starting and rotating the hand wheel.	关闭电源，拔下十孔插头重新插，开机仍然报E-6需更换定位传感器，必须专业人员更换。 Turn off the power, disconnect the ten-hole plug, and insert again. If still displaying E-6 after restarting, the positioning sensor should be changed by professionals only.
Er-7	脚踏调速器 信号异常 Pedal /Speed Regulator Signal Abnormal	1检查六孔插头是否插牢，检查插头上红黑绿线是否脱落。 2没有可靠接地，雷击导致霍尔损坏。 1 Check whether the six-hole plug is well inserted and whether the red, black and green wires in the plug fall off. 2 Without safely connecting the ground, lightning stroke causes the damage of Hall.	关闭电源，拔下六孔插头重新插，开机仍然报E-7需更换定位传感器，必须专业人员更换。 Turn off the power, disconnect the six-hole plug and insert again. If still displaying E-7 after restarting, the positioning sensor should be changed by professionals only.

8). 用户应具备合格的接地装置，以确保人身安全。

#### EN

- 1). Please keep this system far away from high magnetic fields and high environmental radiation in order to avoid obstructions.
- 2). The operational temperature must be in the range of 50°C -40°C.
- 3). Please don't use this product near to the origin of heat (heat, radiator).
- 4). Please don't use this product in over-wet circumstances.
- 5). Please don't use this product near to corrosive liquids and explosion.
- 6). Keep ventilation where the controller and motor stored.
- 7). Keep the power supply voltage steady.
- 8). There must be qualified connector to the ground in order to make sure safety.

# 工业缝纫机伺服节能电机 ENERGY-SAVING SERVO MOTOR

## 使用说明书 Operation Instruction

### 注意 CAUTION

使用机器前请仔细阅读本用户手册及所配套的缝纫设备说明书，配合正确使用，由接受过专业培训的人员进行安装调试，控制器电源接入规定供电系统，用户供电系统必须有独立接地装置，安装电机和控制器任何组件必须先断开电源。  
本产品仅适用于指定范围的缝纫设备，请勿移作他用。

### 安全说明 SAFETY INSTRUCTION

1. 安装和调试前，请仔细阅读本手册。
2. 本产品须受过专业培训的人员来安装或操作。
3. 严禁用户改动控制器任何部分的结构，否则，由此而产生的一切后果，由用户自己承担全部责任。
4. 确保电源安全接地并符合产品铭牌上标示的电压范围及技术要求。
5. 接通电源开关时，请把脚离开机器脚踏板。
6. 在进行以下操作时，必须先断开系统电源。  
A 安装机器时  
B 在控制器上插拔任何连接插头时  
C 穿针线、换机针及翻抬机头时  
D 机器维修及机器休息不用时
7. 设置系统控制参数或进行保养维修工作应由受过相关培训的人员来完成。
8. 每次关闭电源后再次启动，应在相隔5秒钟以后。
9. 系统接地线必须可靠连接！

Please read instruction manual and completing instruction manual carefully before operating. The power should be connected in the safety electronic system, and that system must have individual grounding device. You must be cut off the power before you install the motor or any other parts. The installation and operation must be operated under professional trained staff.

1. Please read this manual carefully before installation and adjustment.
2. Installation and operation must be operated under professional trained staff.
3. It is not allowed change the structure of any motor parts, otherwise the customer should take full responsibility
4. Confirm the power connected to the ground safety and keep in accordance with the voltage range and technical requirements in the nameplate.
5. Please leave your feet away from the pedal when power is turned on or off..
6. You must cut the power off under operation mentioned below:  
A. install the machine  
B. insert or pull out any plug in the control box;  
C. threading, changing needle and rotate the machine head.  
D. machine maintenance and machine is in idle state.
7. The setting of control system and maintenance should be operated by trained staff
8. There should be 5 seconds separate during changes of power.
9. The system must be connected to the ground safety

## 1. 产品介绍 Product Introduction

1). 概述 Overview  
节能环保, 保护环境, 是21世纪整个人类世界的核心任务, 我公司生产的节能电机系统, 广泛应用于缝纫机整配, 服装加工行业, 该系统节能高效, 性能稳定, 价格适中, 自投放市场以来, 一直受到广大用户的好评, 是替代目前普遍使用的机械离合电机理想的产品。

EN

Energy-saving, cost-reducing and environment protecting is the core mission of 21st century. The energy-saving control system is extensive apply for industrial sewing machine and apparel industry. This system has the advantages of energy saving, high efficiency, stable performance and reasonable price which win a good reputation since the system being launched. This system is the best replace for clutch motor which used widely in industrial sewing machine.

### 2). 组成 Component



图1

控制系统由控制器和电机两部分组成:

A 控制器: 控制器包括调速器, 见图1  
本控制器主芯片采用美国爱特梅尔公司最新的AVR单片机, 该单片机有着丰富的片内资源, 通过优化算法编制的软件, 精确控制电机的工作状态。电机的功率驱动采用6个晶体管“IGBT”, 该晶体管具有完善的过压、过流、过热等自动保护功能。整个控制器结构十分精练且性能优异。脚踏调速器为电机速度控制部件。

EN

The system is made of controller and motor.  
A. Controller: The controller is made of speed governor and control box (as picture 1)

The chip of this controller is applied by the latest AVR SCM of ATMEL LIMITED, which can control the motor accurately with optimization algorithm. The power driver of the motor has six transistors "IGBT". This transistors has perfect performance on the protection to overvoltage, over current and overheating. The instruction of controller is perfect and efficient. Pedal-driven speed governor is a part of motor speed control.

### 3). 系统配套适用范围 Application

A: 550W Motor 适用于包、缝缝机等缝制设备配套使用。  
B: 客户应根据实际情况正确选择适合电机。  
安装拆卸任何组件时必须先断开电源!

EN

A. 550W Motor is applicable to overlock, interlock sewing machine and those machine load light.  
B. The customers should select proper power according to the concrete condition.  
The electric power must be cut off in case of installation or dismantlement!

## 4). 性能及指标参数 Performance And Parameter

机型 Model	包缝 Overlock	绷缝 Interlock
电源供电电压 Power voltage range (please confirm the supply voltage)	AC 220V±10%	50/60 Hz
输出功率 Motor output	400W/550W	550W
最大扭矩 Maximum torque	2.0Nm±2.5Nm	3Nm
电机转速(出厂设置) Speed	4500 r/min	3500 r/min
上下停针 Needle up/down	有 Yes	有 Yes
过载保护 Transistor protection	有 Yes	有 Yes

## 2. 下挂式系统的安装 Installation And Adjustment Of Pensile Type System

### 1). 控制箱的安装 Installation of control box



图2

在右板右下方, 用Φ3钻头钻两个深20mm的孔, 孔距195mm, 然后用随机附带的木螺钉, 将控制箱固定拧紧, 将电机、调速器、同步器的插头正确插入相应的插座, 并将电源线扎好, 固定在远离皮带位置的台板下。见图2

EN

Cutting two holes of 20 mm deep with a Φ3 drill in the right hand front bottom of table, the distance between them is 195mm, and then fix the control box tightly with wooden screw. Insert the plug of motor, synchronizer and speed controller into relevant socket, and then fix the packed cable conductor to the table which far away from belt. (as picture 2 and 3)

### 2). 系统接线 (见图4)

Connection of system (as picture 4)

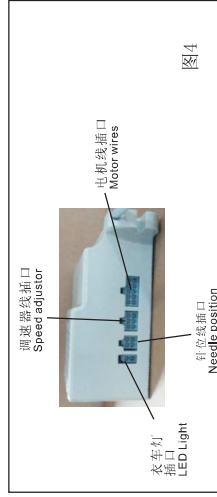


图4

将控制器电源线接入规定的供电系统, 用户供电系统必须有独立的接地装置, 控制箱体必须可靠接地! 将电机、调速器、及同步器的各个插头, 平稳插入控制箱尾部对应的插座即可, 插好后, 请再检查一下插头插座接触是否牢靠, 调整塑料护套的位置, 使塑料护套完全包裹住插头。

EN

Connect controller power supply wire into the regulation of power system, which should have separately earth device, and the control box must be connected to earth safely. Insert the plug of motor, speed controller and synchronizer into the socket behind the control box. When everything is ready, check it if the connection stable again, and then adjust the position of plastic sheath in order to cover the plugs totally. Control box tail port definition (正视图)

Connector definition behind of the control box

地	U	V	W	空
5V	A	B	C	地

电机线接口

GND	U	V	W	N/A
5V	A	B	C	GND

Motor wires connector

上	5V-
下	5V+

针位线接口

5V-  
5V+

衣车灯接口

5V-
5V+

LED Light connector

Upper	Lower
5V	GND

Needle position wires connector

### 3). 调试 Adjustment

针位的调整  
接通电源, 打开控制器电源开关, 用手转动缝纫机手轮, 在上针位时, 松开和移动有红色标记的磁钢位置, 使同步器上的红色发光管点亮, 然后再将磁钢固定螺钉, 用无标记的磁钢, 使同步器上的绿色发光管点亮, 然后再拧紧磁钢固定螺钉, 至此, 同步器的针位信号已调整好。

EN

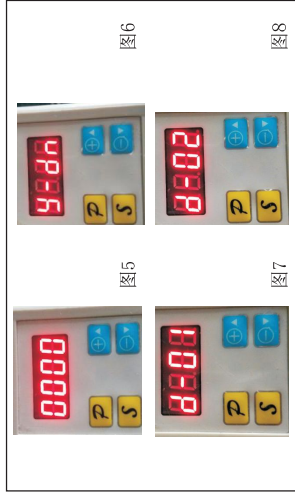
Adjustment of needle position:

Connect to the power, and turn on the mains switch of control box. Rotate the driver wheel of sewing machine, when it stop at the up needle position. Loosen and moving the red mark of alnico, lighten the red luminotron in the synchronizer, and then fix the screw. In a similar way. Rotate the driver of sewing machine, when it stop at the lower needle position. Loosen and moving unmarked mark of alnico, lighten the green luminotron in the synchronizer and then fix the screw. So far, the synchronizer needle position signal has adjusted.

## 3. 设置使用说明 Setting Procedures

操作面板使用说明 (客户菜单)  
Application description of operation panel (client menu)

序号 NO.	按键图标 BUTTON	按键名称 NAME	说明 DETAILS
1		调节针位键 Needle position button	1. 按P键1秒, 数码管显示y-dn是上下停针功能。 2. 按P键5秒, 数码管显示y-up是上停针, 单停针功能。 3. 按P键10秒, 数码管显示y-dn是下停针, 倒踩踏板上停针, 双停针功能。 1. Keep pressing P 1 second, the LED display y-dn means up and down needle position function. 2. Press P, the LED displaying y-up is up needle position, single needle position function. 3. Press P, the LED displaying y-dn is down needle position, reverse pedal up needle position, double needle position function.
2		调节转向键 Direction button	1. 按S键5秒, 数码管显示d-01转向是顺时针方向。 2. 按S键, 数码管显示d-02在转向是逆时针方向。 1. Keep Pressing S 5 seconds, LED displaying d-01 is clockwise direction. 2. Press S, LED display d-02 is anticlockwise direction.
3		加速键 Accelerating button	按此键加速, 每按一次+100rpm。在150-300转速区域, 每按一次增加50rpm。 Press + to accelerate. Each press +100rpm. In 150-300 speed area, each press +50rpm.
4		减速键 Decelerating button	按此键减速, 每按一次-100rpm。在150-300转速区域, 每按一次减少50rpm。 Press - to decelerate. Each press -100rpm. In 150-300 speed area, each press -50rpm.



1). 开机显示为工作界面, 数码管显示“0000” 图5  
2). 调节针位键: 按P键1秒, 数码管显示y-dn是上下停针功能。图6  
3). 调节转向键: 按S键5秒, 数码管显示d-01转向是顺时针方向图7。按S键, 数码管显示d-02在转向是逆时针方向。图8

EN

1). Boot display for work interface, digital tube display "0000". (photo 5)